

Board Meeting Agenda

Russ Baggerly, Director
Mary Bergen, Director
Bill Hicks, Director

Pete Kaiser, Director
James Word, Director

CASITAS MUNICIPAL WATER DISTRICT

July 24, 2013

3:00 P.M. – DISTRICT OFFICE

Right to be heard: Members of the public have a right to address the Board directly on any item of interest to the public which is within the subject matter jurisdiction of the Board. The request to be heard should be made immediately before the Board's consideration of the item. No action shall be taken on any item not appearing on the agenda unless the action is otherwise authorized by subdivision (b) of ¶54954.2 of the Government Code and except that members of a legislative body or its staff may briefly respond to statements made or questions posed by persons exercising their public testimony rights under section 54954.3 of the Government Code.

1. Public Comments
2. General Manager comments.
3. Board of Director comments.
4. Consent Agenda
 - a. Minutes of the July 10, 2013 Board Meeting.
 - b. Resolution authorizing the agreement with United States Geological Survey for the Cooperative Stream Gaging Program.
 - c. Resolution authorizing an additional signature on the Ojai Community Bank C.D. account for the Significant Water Efficiency Agriculture Program.

RECOMMENDED ACTION: Adopt Consent Agenda

5. Bills
6. Committee/Manager Reports
 - a. Water Resources Committee Minutes
 - b. Personnel Committee Minutes

- c. Finance Committee Minutes
- d. Exemption from the Ownership and Full-Cost Pricing Provisions of Federal Reclamation Law.

- 7. Recommend approval of Leak Relief for Mr. John Houghton in the amount of \$659.88.

RECOMMENDED ACTION: Motion Approving Recommendation

- 8. Resolution rescinding Resolution No. 13-21 and re-stating definition of Part-time status due to the Federal Government's delay of employer mandates to the Affordable Care Act.

RECOMMENDED ACTION: Adopt Resolution

- 9. Recommend approval of a purchase order to Consulting West in the amount of \$33,900 for electrical engineering services to upgrade the Upper Ojai 3(M) Pump Plant's electrical system.

RECOMMENDED ACTION: Motion Approving Recommendation

- 10. Recommend approval of a purchase order to Irwin Industries for a not to exceed amount of \$27,632 to provide and deliver two aluminum platforms with ship's ladder to the Rincon Reservoir site.

RECOMMENDED ACTION: Motion Approving Recommendation

- 11. Recommend approval of a purchase order to BC Rincon Construction, Inc. in the amount of \$23,986 for the asphalt patch for water line replacements.

RECOMMENDED ACTION: Motion Approving Recommendation

- 12. Recommend approval of Change Order No. 2 in the amount of \$6,416 for the Asphalt Repair & Crack Sealing Project, Specification No. 13.362.

RECOMMENDED ACTION: Motion Approving Recommendation

- 13. Vehicle Purchases

- a. Recommend approval of a purchase order to Vista Ford in the amount of \$16,934.78 for the purchase of a ½ ton truck and \$20,003.95 for the purchase of a small SUV.

RECOMMENDED ACTION: Motion approving recommendation

- b. Recommend approval of a purchase order to Paradise Chevrolet in the amount of \$25,643.31 for the purchase of a ½ ton quad cab truck.

RECOMMENDED ACTION: Motion approving recommendation

- c. Recommend approval of a purchase order to Winner Chevrolet in the amount of \$37,830.10 for the purchase of a 1 ton 4WD with utility box, diesel truck.

RECOMMENDED ACTION: Motion approving recommendation

14. Information Items:

- a. Water Inventory Summary
- b. Lake Casitas Storage Volume Comparison
- c. Investment Report.

15. Adjournment

If you require special accommodations for attendance at or participation in this meeting, please notify our office 24 hours in advance at (805) 649-2251, ext. 113. (Govt. Code Section 54954.1 and 54954.2(a).

Minutes of the Casitas Municipal Water District
Board Meeting Held
July 10, 2013

A meeting of the Board of Directors was held July 10, 2013 at Casitas' Office, Oak View, California. Directors Word, Hicks, Bergen, Kaiser and Baggerly were present. Also present were Steve Wickstrum, General Manager, Rebekah Vieira, Clerk of the Board, and Attorney, John Mathews. There were four staff members and three members of the public in attendance. President Word led the group in the flag salute.

1. Public Comments

None

2. General Manager comments.

Mr. Wickstrum reported that Golden State Water Company had a situation where they had a construction incident that dewatered their system and they needed additional water supply. We assisted and help each other out. Things moved along well. They were diligent to get to the source of the problem and fix it. Our staff worked to accommodate what they needed from us for water supply. Director Kaiser asked the General Manager to convey our thanks to staff for their professionalism. Mr. Wickstrum informed the board that the Grey Water workshop has exceeded our seating capacity and will be moved to the Oak View Resource Center on July 27th.

Mr. Wickstrum informed the board that he may be going to Sacramento on July 29th regarding Matilija Dam and Safety of Dams.

3. Board of Director comments.

Director Baggerly reported that the Senior Canyon Mutual Water Company project that Casitas administered the grant on is essentially done. I called Larry Catlett to see how it is going and he said it is done. They are waiting for the other grant to put in the stuff to start it all up. They are happy. Mr. Merckling added we have made all the purchases and will do a final report and there is some equipment that Larry will pick up by next Tuesday.

Director Kaiser reported that at the last board meeting we authorized expenditure towards an unbudgeted item to correct issue on pumps at Reeves Rd. I made two trips to that location. The sound of pumps was in competition with AC units in the area. It is one of those things and it is important when staff present things that board members take a trip. I appreciate what staff is trying to do to take care of the 4 decibels we are talking about. President Word added he hopes it can be less than \$50,000.

President Word informed the board of the Ventura Department of Public Works public workshop this evening to discuss how they will handle water

resources and requirements. This is based on the Kennedy Jenks study and prior to a public hearing that will be held on August 5th.

4. Consent Agenda ADOPTED

- a. Minutes of the June 26, 2013 Board Meeting.

On the motion of Director Kaiser, seconded by Director Baggerly and passed, the Consent Agenda was adopted.

5. Bills APPROVED

Director Hicks questioned the bill to Rutan & Assoc. Mr. Wickstrum explained that was for preparation going to court and filing documents relating to the suit that was filed by Golden State.

On the motion of Director Hicks, seconded by Director Kaiser and passed, the bills were approved.

6. Committee/Manager Reports APPROVED

- a. Recreation Committee Minutes
b. Executive Committee Minutes

On the motion of Director Baggerly, seconded by Director Hicks and passed, the Committee/Manager Reports were approved for filing.

7. Consideration of Disputed Final Payment Claim made by Native Electrical Construction, Inc. and presentation by district staff.

Mr. Wickstrum explained that at several meetings NEC has provided information to the board and has disputed final payment. You have the staff memo before you that reviews the Final Cost Statement for consideration of this board.

Mr. Hobbs stated he had a statement prepared that has been e-mailed to you. Due to the staff report being available at 6:40 p.m. on Friday I was unable to ask to be put on the agenda and I request to be put on the next agenda as much of the documents Mr. Cole advises was not provided were provided. I request to allow documents prior to decision being rendered in regard to final payment.

President Word asked are these additional documents you have not provided before. Mr. Hobbs replied I don't know if everything was included in dispute of final payment. I received it Friday night. President Word stated this was set on the agenda at your request at the last meeting. I am curious if there is additional information that we don't have. Mr. Hobbs replied I believe it has been provided to your staff. I would like an opportunity to present it to you. President Word asked are you asking that the decision be put off. Mr. Hobbs replied yes, it would be best for all parties.

Director Kaiser added this could get into argument and counter argument. I am concerned about looking at evidence that has been provided. Director Baggerly asked Mr. Wickstrum if there is information you have not seen. Mr. Wickstrum stated I don't know of information that has not been received. We have gotten about 146 megabytes of materials. I don't know what else is outstanding. Mr. Cole added you have the disc that has pretty much everything on it. I am not aware of anything. Director Baggerly added I am satisfied.

Director Hicks stated I don't need any more information. In my case I don't think it will make any difference. It is confusing. I feel like I have been around this District 22 years and have never seen a dispute this out of whack. I am shocked at it.

Director Bergen added I like to give plenty of time, on the other hand, what is it you see here that has not been answered. Mr. Hobbs replied the contractor never identified a contractors plan. My response is first the contractors plan is the blueprints we got to do the job. We did provide several contractors plans based on our intention to complete the project. One for single line we identified we pull number 10 conductors. It is required by code. We were told in Mr. Cole's response we can't provide number 10 conductors.

Director Baggerly asked Mr. Mathews what it would entail if we move forward with the recommendation from staff. Mr. Mathews replied you take an action today to approve additional payment or not. Or, you could continue it. President Word added if we accept final costs as presented with liquidated damages the next step would be to issue a check for work completed. Mr. Mathews added that is the next step for district and then next step for NEC if they want, they can further pursue it. There are mediation provisions and terms in contract. President Word added the liquidated damages do not cover the loss of business that was experienced in the time this project took.

Director Bergen added Mr. Hobbs, my sense of this is what staff is saying is that we live by contract rules. I don't feel comfortable of getting into details of electrical contracting; it is not a good use of our time. If we move on to next steps, that might be the way to go.

Mr. Mathews added the issue today is does the board feel they have enough information to make a decision. You have a report from staff. You have enough in front of you to take an action.

Director Kaiser made a motion to reject NEC Inc's request for additional \$159,704.78, also rejecting additional working days and moved to approve Casitas Final Cost Statement for the work that was done. The motion was seconded by Director Hicks and passed with all in favor.

8. Attendance at ACWA 2013 Regulatory Summit and discussion regarding rescheduling the August 14, 2013 regularly scheduled meeting of the Board.

The board discussed the need to change the regularly scheduled board meeting to accommodate attendance at the ACWA Regulatory Summit and determined that at this time there is no need to alter the board meeting schedule as long as quorum of the board will be in attendance at the August 14th board meeting.

9. Event Participation - The Chautauqua on the Future of Food in Ojai, November 2, 2013.

The board discussed this event and determined that they do not want to be a sponsor but will allow directors to attend if they feel they could benefit as an attendee. It would be authorized as a meeting and cost to attend would be covered. It cost is exorbitant it will be discussed further.

The Casitas Board meeting was recessed at 3:32 p.m. and the Lake Casitas improvement Foundation Meeting was opened.

10. Lake Casitas Improvement Foundation Meeting

- a. Consideration to fund rowing dock replacement. APPROVED

Park Services Manager Belser reported that the Rowing Club has requested that Casitas partner with them and pay a portion of a dock they have been successful in raising funds for. They have received \$20,000 from the Olympic fund and have fundraised an additional \$15,000. We have asked the Bureau of Reclamation if they are interested in matching and they agreed if LCIF will donate \$4,000 towards the dock it will be matched by the bureau. The dock will remain at Casitas and be owned by Casitas and it is for the rowing club to use. The recommendation is to have LCIF fund \$4,000 to be matched by the Bureau of Reclamation.

On the motion of Director Baggerly, seconded by Director Hicks and passed the recommendation to fund \$4,000 towards the purchase of the dock was approved.

President Word reconvened the Casitas Board Meeting at 3:38 p.m.

11. Information Items:

- a. Recreation Area Reports for May, 2013.
- b. Letter from Charles Z. Fedak & Company regarding audit.
- c. Monthly Cost Analysis – Ojai FLOW.
- d. Reimbursement Disclosure Report Fiscal Year 2012-13.
- e. Consumption Report.
- f. ACWA Call for Candidate Nominations.

- g. Letter from EPA regarding Pumping & Diversion TMDL and responses to comments.
- h. Investment Report.

President Word moved the meeting to closed session at 3:48 p.m. with Mr. Mathews stating that we have two items for consideration once we come back into open session.

12. Closed Session:

- a. (Govt. Code Sec. 54957.6)
Conference with Labor Negotiators:
Agency Designated Representatives: Rebekah Vieira
Employee Organization: Supervisory & Professional, General Unit and Recreation Unit.
- b. Public Employee Performance Evaluation (Govt. Code Sec. 54957)
Title: General Manager

President Word reconvened the open session at 4:11 p.m.

13. Possible adoption of resolutions authorizing adoption of a Memorandum of Understanding with the General, Recreation and Supervisory & Professional Units may be considered following the closed session.

The resolutions were offered by Director Bergen, seconded by Director Baggerly and passed by the following roll call vote:

AYES:	Directors:	Baggerly, Kaiser, Bergen, Hicks, Word
NOES:	Directors:	None
ABSENT:	Directors:	None

Resolutions are numbered 13-28, 13-29 and 13-30.

14. Discussion and possible adoption of a change in compensation to General Manager's position.

On the motion of Director Baggerly, seconded by Director Hicks and passed the General Manager's compensation is to be increased by 7% effective July 1, 2013.

15. Adjournment

President Word adjourned the meeting at 4:17 p.m.

Mary Bergen, Secretary

**CASITAS MUNICIPAL WATER DISTRICT
Interdepartmental Memorandum**

DATE: July 11, 2013

TO: Steven E. Wickstrum,
General Manager

FROM: Neil Cole,
Principal Civil Engineer

SUBJECT: **USGS-CMWD Cooperative Stream Gaging Program for November 1, 2013 to October 31, 2014 - Ventura River near Ventura Gaging Station**

RECOMMENDATION:

It is recommended that the Board of Directors approve continuing the cooperative stream gaging program with the U.S. Geological Survey (USGS) for the Ventura River near Ventura station and adopt the resolution.

BACKGROUND:

Since 1961 Casitas and the USGS have maintained agreements for the USGS operation of various stream and reservoir gaging stations within the District. In 1988, Casitas assumed the operation of all subject stations, with the exception of the Ventura River near Ventura gaging station that is located near the Foster Park Bridge. The USGS has reliably provided Casitas, City of Ventura and Ventura County with information gathered from this key gaging station.

Attached is a letter from the U.S. Geological Survey dated May 23, 2013 that outlines the proposed source of funding for the gaging station program. The local cost share portion of the agreement remains at \$13,550 for the 2013-14 water year, the same as last year. The City of San Buenaventura (Ventura) and Ventura County Watershed Protection District (VCWPD) will continue to be partners with Casitas and divide this cost equally. The actual cost to Casitas will be \$4517.

USGS has provided two copies of a Joint Funding Agreement for Casitas to sign and return.

Attachment – USGS letter and Joint Funding Agreement

CASITAS MUNICIPAL WATER DISTRICT

RESOLUTION DIRECTING EXECUTION OF A
JOINT FUNDING AGREEMENT BETWEEN
UNITED STATES GEOLOGICAL SURVEY AND
CASITAS MUNICIPAL WATER DISTRICT

WHEREAS, Casitas Municipal Water District and the U.S. Geological Survey, U.S. Department of the Interior, have previously entered into a cooperative agreement involving matching funds covering the operation and maintenance of a certain stream gaging stations in the Ventura River watershed; and

WHEREAS, it is desirable that arrangements for the U.S. Geological Survey to perform the operation and maintenance of the Ventura River near Ventura stream gaging station during the November 1, 2013 to October 31, 2014 period; and

WHEREAS, the U.S. Geological Survey has indicated that subject to the availability of Federal matching funds, the U.S. Geological Survey will provide \$6,850 in funds; and

Whereas, Casitas Municipal Water District's cost to have the U.S. Geological Survey operate and maintain the Ventura River near Ventura stream gaging station during the November 1, 2013 to October 31, 2014 period will remain the same as last year at \$13,550; and

NOW, THEREFORE, BE IT RESOLVED by the Board of Directors of the Casitas Municipal Water District that the General Manager is hereby authorized and directed on behalf of Casitas to sign the Joint Funding Agreement in the form provided by the U.S. Geological Survey, and request continuation of said cooperative arrangements during the period November 1, 2013 through October 31, 2014 at a fixed total cost of \$13,550 to Casitas. Further, direct staff to seek reimbursement of two-thirds of the \$13,550 upon receipt of the billing from the U.S. Geological Survey.

ADOPTED this _____ day of _____, 2013.

James W. Word, President
Casitas Municipal Water District

ATTEST:

Mary Bergen, Secretary
Casitas Municipal Water District

CASITAS MUNICIPAL WATER DISTRICT
Inter-Office Memorandum

DATE: July 17, 2013
TO: Board of Directors
FROM: Denise Collin – Accounting Manager / Treasurer
Re: Ojai Community Bank – Authorizing Additional Signature

RECOMMENDATION:

It is recommended that the Board of Directors approve dual signature authorization for the General Manager and the Accounting Manager / Treasurer for the Ojai Community C.D. Bank account.

BACKGROUND:

In 2008 the District approved and implemented the Significant Water Efficiency Agriculture Program (S.W.E.A.P.), which satisfies one of the Best Management Business Practices. This program provides collateral for the District's Agriculture Customers to obtain low interest loans to upgrade their irrigation infrastructure resulting in water use efficiency.

The collateral account was setup as a Certificate of Deposit (C.D.) with Ojai Community Bank, however only the General Manager was authorized for signature on this account which limits the Accounting Manager / Treasurer access to monthly account information.

CASITAS MUNICIPAL WATER DISTRICT

RESOLUTION AUTHORIZING
A SECOND SIGNATURE ON THE
OJAI COMMUNITY BANK ACCOUNT

WHEREAS, Casitas Municipal Water District opened a C.D. bank account with Ojai Community Bank for the purpose of administering the Significant Water Efficiency Agriculture Program (S.W.E.A.P.) to provide collateral for the District's Agriculture customers to obtain low interest loans to upgrade their irrigation infrastructure resulting in water use efficiency; and

WHEREAS, it is desirable for the Accounting Manager/Treasurer be added as a signer on the account to allow for access to monthly account information.

NOW, THEREFORE, BE IT RESOLVED by the Board of Directors of the Casitas Municipal Water District that the Accounting Manager/Treasurer be added as a signer to the Ojai Community Bank C.D. Account.

ADOPTED this 24th day of July, 2013.

James W. Word, President
Casitas Municipal Water District

ATTEST:


Mary Bergen, Secretary
Casitas Municipal Water District

CASITAS MUNICIPAL WATER DISTRICT
 Payable Fund Check Authorization
 Checks Dated 7/11/13-7/17/13
 Presented to the Board of Directors For Approval July 24, 2013

Check	Payee			Description	Amount
000422	Payables Fund Account	#	9759651478	Accounts Payable Batch 071113	\$103,890.17
000423	Payables Fund Account	#	9759651478	Accounts Payable Batch 071713	\$246,917.81
					\$350,807.98
000424	Payroll Fund Account	#	9469730919	Estimated Payroll 8/8/13	\$155,000.00
					\$155,000.00
				Total	\$505,807.98

Publication of check register is in compliance with Section 53065.6 of the Government Code which requires the District to disclose reimbursements to employees and/or directors.

The above numbered checks, 000422-000424 have been duly audited is hereby certified as correct.

 Denise Collin, Accounting Manager

 Signature

 Signature

 Signature

A/P Fund

Publication of check register is in compliance with Section 53065.6 of the Government Code which requires the District to disclose reimbursements to employees and/or directors.

000422	A/P Checks:	015655-015664
	A/P Draft to P.E.R.S.	071133
	A/P Draft to State of CA	071132
	A/P Draft to I.R.S.	071131
	Voids:	

000423	A/P Checks:	015665-015758
	A/P Draft to P.E.R.S.	
	A/P Draft to State of CA	
	A/P Draft to I.R.S.	
	Void:	015719-015720

The above numbered checks, have been duly audited are hereby certified as correct.

Denise Collin 7/18/13
Denise Collin, Accounting Manager

Signature

Signature

Signature

CERTIFICATION

Payroll disbursements for the pay period ending 07/06/13
Pay Date of 07/11/13
have been duly audited and are
hereby certified as correct.

Signed: Denise Collin 7/8/13
Denise Collin

Signed: _____
Signature

Signed: _____
Signature

Signed: _____
Signature

7/18/2013 8:18 AM
 VENDOR SET: 01 Casitas Municipal Water D
 BANK: * ALL BANKS
 DATE RANGE: 7/08/2013 THRU 7/17/2013

A/P HISTORY CHECK REPORT

VENDOR I.D.	NAME	STATUS	CHECK DATE	INVOICE AMOUNT	DISCOUNT	CHECK NO	CHECK STATUS	CHECK AMOUNT
C-CHECK	VOID CHECK	V	7/17/2013			015719		
C-CHECK	VOID CHECK	V	7/17/2013			015720		

* * T O T A L S * *

	NO	INVOICE AMOUNT	DISCOUNTS	CHECK AMOUNT
REGULAR CHECKS:	0	0.00	0.00	0.00
HAND CHECKS:	0	0.00	0.00	0.00
DRAFTS:	0	0.00	0.00	0.00
EFT:	0	0.00	0.00	0.00
NON CHECKS:	0	0.00	0.00	0.00
VOID CHECKS:	2	VOID DEBITS 0.00		
		VOID CREDITS 0.00	0.00	0.00

TOTAL ERRORS: 0

VENDOR SET: 01	BANK: *	TOTALS:	2	0.00	0.00	0.00
BANK: *	TOTALS:		2	0.00	0.00	0.00

VENDOR I.D.	NAME	STATUS	CHECK DATE	INVOICE AMOUNT	DISCOUNT	CHECK NO	CHECK STATUS	CHECK AMOUNT
00086 I-936	E.J. Harrison & Sons Inc Acct#500139629	R	7/11/2013	3,329.20		015655		3,329.20
02194 I-070413	Draza Mrvichin June 13 Professional Services	R	7/11/2013	1,357.70		015656		1,357.70
01147 I-2907	SUPERIOR GATE SYSTEMS Repair Iron Panels at WP	R	7/11/2013	250.00		015657		250.00
00536 I-201433	Water Resource Engr Associates Senior Canyon Upgrade	R	7/11/2013	4,459.95		015658		4,459.95
00469 I-070513	MIKE WERBER Water Treatment Class	R	7/11/2013	50.00		015659		50.00
00124 I-CUI201307090732 I-DCI201307090732 I-DI%201307090732	ICMA RETIREMENT TRUST - 457 457 CATCH UP DEFERRED COMP FLAT DEFERRED COMP PERCENT	R R R	7/11/2013 7/11/2013 7/11/2013	634.61 2,580.76 85.53		015660 015660 015660		3,300.90
01960 I-MOR201307090732	Moringa Community PAYROLL CONTRIBUTIONS	R	7/11/2013	16.75		015661		16.75
00985 I-CUN201307090732 I-DCN201307090732	NATIONWIDE RETIREMENT SOLUTION 457 CATCH UP DEFERRED COMP FLAT	R R	7/11/2013 7/11/2013	864.53 3,757.84		015662 015662		4,622.37
00180 I-COP201307090732 I-UND201307090732	S.E.I.U. - LOCAL 721 SEIU 721 COPE UNION DUES	R R	7/11/2013 7/11/2013	9.50 575.50		015663 015663		585.00
00230 I-UWY201307090732	UNITED WAY PAYROLL CONTRIBUTIONS	R	7/11/2013	45.00		015664		45.00
01629 I-02404624	3M Prescription Safety GlassesE&M	R	7/17/2013	115.00		015665		115.00
00008 I-CWD166	ADVANTAGE PHYSICAL THERAPY Drug Tests	R	7/17/2013	151.92		015666		151.92
01441 I-44071	ADVANTAGE TELECOM, INC Monthly Phone Charges, LCRA	R	7/17/2013	678.19		015667		678.19

7/18/2013 8:18 AM
 VENDOR SET: 01 Casitas Municipal Water D
 BANK: AP ACCOUNTS PAYABLE
 DATE RANGE: 7/08/2013 THRU 7/17/2013

A/P HISTORY CHECK REPORT

VENDOR I.D.	NAME	STATUS	CHECK DATE	INVOICE AMOUNT	DISCOUNT	CHECK NO	CHECK STATUS	CHECK AMOUNT
01707	AIRGAS SPECIALTY PRODUCTS							
I-131294109	Ammonium Hydroxide for TP	R	7/17/2013	3,196.00		015668		3,196.00
09569	ALLCABLE							
I-215477201	Fiber Optic Cable for IT Dept	R	7/17/2013	1,773.74		015669		
I-215514101	Fiber Optic Cable for IT Dept	R	7/17/2013	941.76		015669		2,715.50
00029	AMERICAN TOWER CORP							
I-1494842	Tower Rent, Red Mtn, Rincon Pk	R	7/17/2013	1,620.30		015670		1,620.30
00022	AMERICAN WATER WORKS ASSOC.							
C-0000767427A	Accrue Use Tax	R	7/17/2013	6.90CR		015671		
D-0000767427A	Accrue Use Tax	R	7/17/2013	6.90		015671		
I-0000767427	Drinking Water Manual for WQ	R	7/17/2013	101.50		015671		101.50
00840	AQUA-METRIC SALES COMPANY							
I-0048470IN	Wire for Water Meters, O&M CS	R	7/17/2013	678.87		015672		678.87
01666	AT & T							
I-000004486437	T-1 Line, 8310001729783	R	7/17/2013	357.32		015673		
I-000004488213	T-1 Lines, 8310002969306	R	7/17/2013	1,096.31		015673		1,453.63
00018	AT & T MOBILITY							
I-829434088X07142013	PT Wildlife Biol Monthly Cell	R	7/17/2013	10.63		015674		10.63
00020	AVENUE HARDWARE, INC							
I-53377	Hardware for Telemetry	R	7/17/2013	30.57		015675		30.57
00030	B&R TOOL AND SUPPLY CO							
I-1264850000101	Hex Bit for Pump Plant	R	7/17/2013	8.56		015676		8.56
02045	BC Rincon Construction, Inc.							
I-7033	District Ofc,Upper Ojai Paving	R	7/17/2013	29,448.50		015677		29,448.50
00821	BEST BEST & KRIEGER LLP							
I-705842	Matter #8235600002 6/13	R	7/17/2013	187.80		015678		187.80
00756	BOARD OF EQUALIZATION							
I-071613	Use Tax Return 4/1-6/30/13	R	7/17/2013	1,368.00		015679		1,368.00
01616	FRED BRENEMAN							
I-071513	7/7/13-7/20/13	R	7/17/2013	391.00		015680		391.00

VENDOR I.D.	NAME	STATUS	CHECK DATE	INVOICE AMOUNT	DISCOUNT	CHECK NO	CHECK STATUS	CHECK AMOUNT
02558	Fortino Castillo							
I-070713	Waterpark Fee Refund	R	7/17/2013	60.00		015681		
	Receipt No. 170993							
I-070713A	Waterpark Fee Refund	R	7/17/2013	60.00		015681		120.00
	Receipt#170994							
00511	Centers for Family Health							
I-26240	Drug Tests	R	7/17/2013	990.00		015682		990.00
00057	CLEAN SOURCE							
I-276256800	Janitorial Supplies	R	7/17/2013	168.73		015683		168.73
00059	COASTAL PIPCO							
I-S1772790003	Sockets, Gaskets for TP	R	7/17/2013	22.61		015684		
I-S1772795001	Diaphragm Valve for TP	R	7/17/2013	282.71		015684		
I-S1774388002	PVC Parts for Treatment Plant	R	7/17/2013	37.33		015684		342.65
00062	CONSOLIDATED ELECTRICAL							
I-9009679172	AB Drive Software Tools, E&M	R	7/17/2013	639.63		015685		
I-9009679344	Male Union, Couplings, TP	R	7/17/2013	44.89		015685		684.52
00331	COORDINATED WIRE ROPE							
I-75314	Cables for Tamper Proof Tags	R	7/17/2013	3,914.00		015686		3,914.00
01131	COUNTY OF VENTURA, IRWM TRUST							
I-070113	IRWM Program Services	R	7/17/2013	1,355.00		015687		1,355.00
00064	CROWDER BACKFLOW SERVICES, INC							
I-20078	Annual Backflow Testing, TP	R	7/17/2013	180.00		015688		180.00
01764	DataProse, Inc.							
I-745291	UB Billing 5/30/13	R	7/17/2013	1,249.91		015689		1,249.91
00076	DEKREEK TECHNICAL SERVICES							
I-63065	EIM Network Upgrade, SCADA	R	7/17/2013	960.00		015690		
I-63071	SCADA Control Upgrade/SQL	R	7/17/2013	990.00		015690		1,950.00
02550	Ryan Dellamalva							
I-070413	Camping Fee Refund	R	7/17/2013	205.50		015691		205.50
00081	DELTA LIQUID ENERGY							
I-18264	Fill Shower Propane Tank	R	7/17/2013	258.37		015692		
I-23212808	Fill Shower Propane Tank	R	7/17/2013	111.51		015692		369.88

VENDOR I.D.	NAME	STATUS	CHECK DATE	INVOICE AMOUNT	DISCOUNT	CHECK NO	CHECK STATUS	CHECK AMOUNT
02544	Department of Justice I-982252 Fingerprinting	R	7/17/2013	1,231.00		015693		1,231.00
00086	E.J. Harrison & Sons Inc I-310 Acct#500139629	R	7/17/2013	1,109.86		015694		
	I-958 Acct#500546088	R	7/17/2013	280.00		015694		1,389.86
00488	ELECTRONIC SYSTEMS TECHNOLOGY I-6985 Esteem Modem Repair, E&M	R	7/17/2013	104.83		015695		104.83
02559	Adrian Escobedo I-070713 Waterpark Fee Refund	R	7/17/2013	24.00		015696		
	Receipt#171051							
	I-070713A Waterpark Fee Refund	R	7/17/2013	12.00		015696		36.00
	Receipt#171055							
00095	FAMCON PIPE & SUPPLY I-150838 Flanges for Treatment Plant	R	7/17/2013	232.20		015697		232.20
00093	FEDERAL EXPRESS I-232013899 Shipping for Mgmt, LCRA	R	7/17/2013	85.54		015698		
	I-232761684 Shipping for Admin	R	7/17/2013	19.01		015698		104.55
02556	Ferguson Case Orr Paterson LLP I-213021 Acct#CASIT-002M 6/13	R	7/17/2013	1,166.00		015699		1,166.00
00013	FERGUSON ENTERPRISES INC #1083 I-9514617 Urinal Cartridges for LCRA	R	7/17/2013	343.91		015700		
	I-9531368 Bubblers for Drinking Fountain	R	7/17/2013	185.07		015700		528.98
00099	FGL ENVIRONMENTAL D-305554A Pickup Fee Short Paid	R	7/17/2013	25.00		015701		
	I-304817A Wet Chemistry-Total P Diss	R	7/17/2013	1,499.40		015701		1,524.40
00096	FIREMASTER - LOS ANGELES REG. I-0000092435 Fire Extinguisher Svc, LCRA	R	7/17/2013	1,142.91		015702		1,142.91
00101	FISHER SCIENTIFIC I-9251956 Lab Supplies	R	7/17/2013	153.96		015703		153.96
00104	FRED'S TIRE MAN I-67755 Flat Repair #36, Pipelines	R	7/17/2013	20.00		015704		
	I-67813 Oil Change #15, O&M CS	R	7/17/2013	39.67		015704		59.67

VENDOR I.D.	NAME	STATUS	CHECK DATE	INVOICE AMOUNT	DISCOUNT	CHECK NO	CHECK STATUS	CHECK AMOUNT
01280	FRY'S ELECTRONICS, INC.							
	C-5074956 Item Returned	R	7/17/2013	32.39CR		015705		
	I-5071294 Computer Supplies for IT	R	7/17/2013	53.98		015705		
	I-5084036 UPS Backup for Payroll	R	7/17/2013	226.22		015705		247.81
00109	G&S BUILDING SUPPLIES, INC							
	I-791065 Light Shielding for B Camp	R	7/17/2013	23.70		015706		23.70
02560	Nora Yvonne Garrido							
	I-070913 Refund Locker Fee	R	7/17/2013	3.00		015707		3.00
02158	Google, Inc.							
	I-6572036 Additional Usage, IT Dept	R	7/17/2013	16.25		015708		16.25
00125	IDEXX DISTRIBUTION CORP							
	I-269816045 Lab Testing Supplies, WQ	R	7/17/2013	947.25		015709		947.25
00126	CAROLE ILES							
	I-063013 Reimburse Mileage 6/13	R	7/17/2013	35.59		015710		35.59
00127	INDUSTRIAL BOLT & SUPPLY							
	I-00135885 Bolts for Treatment Plant	R	7/17/2013	43.43		015711		
	I-00135997 Bolts for Treatment Plant	R	7/17/2013	33.88		015711		77.31
02513	Instrument Control Services							
	I-13022061813 I & C Equipment, Senior Canyon	R	7/17/2013	28,465.00		015712		28,465.00
00872	Irrisoft, Inc.							
	I-4666 Weather Station Signal Service	R	7/17/2013	79.00		015713		79.00
00667	Kennedy/Jenks Consultants							
	I-74433 Project 118901000 6/13	R	7/17/2013	558.92		015714		558.92
01270	SCOTT LEWIS							
	I-Jun 13 Reimburse Expenses 6/13	R	7/17/2013	1,296.18		015715		1,296.18
00856	MATTHEW BENDER & CO., INC.							
	I-47364602 Labor Relation Guide Updates	R	7/17/2013	263.09		015716		263.09
02299	Cinnamon McIntosh							
	I-071613 Advance for Travel	R	7/17/2013	1,602.00		015717		1,602.00
00151	MEINERS OAKS ACE HARDWARE							
	I-555407 Key Made for Engineering	R	7/17/2013	3.20		015718		
	I-557890 Paint Supplies for Waterpark	R	7/17/2013	19.12		015718		
	I-559750 Padlocks for Waterpark	R	7/17/2013	35.20		015718		
	I-559789 Menderhose for Pipelines	R	7/17/2013	4.88		015718		
	I-560138 Lubricant, Safety Hooks, LCRA	R	7/17/2013	8.16		015718		

VENDOR I.D.	NAME	STATUS	CHECK DATE	INVOICE AMOUNT	DISCOUNT	CHECK NO	CHECK STATUS	CHECK AMOUNT
I-560242	Cement, Gloves for Pipelines	R	7/17/2013	33.50		015718		
I-560363	Filters for Shop Vac, A/C @ TP	R	7/17/2013	19.08		015718		
I-560407	PVC for O&M CS	R	7/17/2013	3.49		015718		
I-560954	Hose and Nozzle for Waterpark	R	7/17/2013	29.80		015718		
I-561059	Masking Tape for Dist Maint	R	7/17/2013	3.90		015718		
I-561265	Nozzle for Maint, Hose Bibb WP	R	7/17/2013	41.34		015718		
I-561303	Weatherstripping, Sponge E&M	R	7/17/2013	46.09		015718		
I-561343	Fasteners for Signs at LCRA	R	7/17/2013	11.18		015718		
I-561560	Blades, Gloves for LCRA	R	7/17/2013	43.63		015718		
I-561631	Padlocks, Cable Ties for WP	R	7/17/2013	70.47		015718		
I-561637	Bolts & Screws, Caps for E&M	R	7/17/2013	24.68		015718		
I-561747	Trash Bags, Bolts for WP	R	7/17/2013	19.48		015718		
I-561946	Elbows for Treatment Plant	R	7/17/2013	8.71		015718		
I-561972	Menderhose for Pump Plant	R	7/17/2013	4.88		015718		
I-562010	Cleaner, WD40 for TP	R	7/17/2013	21.26		015718		
I-562019	Bolts and Screws for Dist Mnt	R	7/17/2013	4.48		015718		
I-562170	Masking Tape for LCRA	R	7/17/2013	14.36		015718		
I-562222	Paint Roller for Dist Maint	R	7/17/2013	8.79		015718		
I-562244	Batteries for Telemetry	R	7/17/2013	14.79		015718		
I-562587	Couplers for Waterpark	R	7/17/2013	2.90		015718		
I-562720	Key Made for Waterpark	R	7/17/2013	1.60		015718		
I-563199	Sillcock Keys for Waterpark	R	7/17/2013	11.31		015718		
I-563217	Brushes, Hooks, Telemetry	R	7/17/2013	24.37		015718		
I-K61173	Concrete for Waterpark	R	7/17/2013	5.03		015718		539.68
02551	Aurelio Menzenarez							
I-070413	Day Use Refund	R	7/17/2013	15.00		015721		15.00
00986	MIRACLE RECREATION EQUIP CO							
I-738082	Hooks for Playground Equip	R	7/17/2013	63.46		015722		63.46
00144	BOB MONNIER							
I-Jun 13	Reimburse Mileage 6/13	R	7/17/2013	90.73		015723		
I-May 13	Reimburse Mileage 5/13	R	7/17/2013	126.56		015723		217.29
02561	Eddie Montoya							
I-070513	Camping Fee Refund	R	7/17/2013	102.50		015724		102.50
02552	Joseph Mustin							
I-070813	Camping Fee Refund	R	7/17/2013	25.00		015725		25.00
00812	KEVIN NGUYEN							
I-Jul 13	Network Switches, Air for IT	R	7/17/2013	149.00		015726		149.00

VENDOR I.D.	NAME	STATUS	CHECK DATE	INVOICE AMOUNT	DISCOUNT	CHECK NO	CHECK STATUS	CHECK AMOUNT
02498 I-OCI20130023	Offshore Construction, Inc. Reclaim Filter Rehab, TP	R	7/17/2013	4,724.23		015727		4,724.23
01570 I-280612 I-281166	Ojai Auto Supply LLC Washer Fluid, Cap for Garage Tire Patch, Fittings for Maint	R R	7/17/2013 7/17/2013	9.33 21.67		015728 015728		31.00
00912 C-8574A I-8574	OJAI BUSINESS CENTER, INC CM Inv#8574 Shipping and Folding	R R	7/17/2013 7/17/2013	56.09CR 249.58		015729 015729		193.49
00607 I-071702 I-071703 I-071712 I-071726	OJAI ELECTRIC Work at Camp B Work at WP, Vault #5 Work at Camp B Sub-panels Repair Vault #5, Waterpark	R R R R	7/17/2013 7/17/2013 7/17/2013 7/17/2013	247.50 112.50 915.00 926.00		015730 015730 015730 015730		2,201.00
02128 I-063013	Olympus & Associates, Inc. Recoat & Repair Upper Ojai	R	7/17/2013	122,309.26		015731		122,309.26
00383 I-116081	ON DUTY UNIFORMS & EQUIPMENT Uniform for APSO	R	7/17/2013	115.00		015732		115.00
00188 I-071213	PETTY CASH Replenish Petty Cash	R	7/17/2013	242.68		015733		242.68
02187 I-383219	Pitney Bowes Inc Postage Meter Rental 4/1-6/30	R	7/17/2013	112.88		015734		112.88
01439 I-1949	PRECISION POWER EQUIPMENT Filters for Weed Wackers, DM	R	7/17/2013	35.31		015735		35.31
02553 I-060713	Jose Ramirez Camping Fee Refund	R	7/17/2013	114.00		015736		114.00
02554 I-070113	Cruz Ruiz-Perez Camping Fee Refund	R	7/17/2013	25.00		015737		25.00
02344 I-13445A	ServiceMaster Building Mainten Janitorial Services, Dist Ofc	R	7/17/2013	1,032.00		015738		1,032.00
10286 I-901285331	SIEMENS INDUSTRY, INC. Service Parts for TP Equip	R	7/17/2013	3,335.42		015739		3,335.42

VENDOR I.D.	NAME	STATUS	CHECK DATE	INVOICE AMOUNT	DISCOUNT	CHECK NO	CHECK STATUS	CHECK AMOUNT
00725	SMART & FINAL							
I-070913	Vinegar to Flush Water Heaters	R	7/17/2013	24.48		015740		24.48
02003	Sostre & Associates							
I-2278	25 Hour Service Package	R	7/17/2013	2,000.00		015741		2,000.00
00223	STOCK BUILDING SUPPLY							
I-4910334300	Siding for Camp B Restroom	R	7/17/2013	94.95		015742		
I-4910346600	Samples for Shields, Camp B	R	7/17/2013	4.10		015742		99.05
02527	Traffic Technologies LLC							
I-11935	Signs Made for LCRA	R	7/17/2013	636.66		015743		636.66
01662	TYLER TECHNOLOGIES, INC.							
I-02570123	Content Mgr Software Maint	R	7/17/2013	1,974.91		015744		
I-02571984	Software Maint Incode Modules	R	7/17/2013	2,657.81		015744		
I-02572410	Monthly UB Online Fees	R	7/17/2013	153.00		015744		4,785.72
00225	UNDERGROUND SERVICE ALERT							
I-620130090	136 New Tickets	R	7/17/2013	204.00		015745		204.00
00243	VALLEY EQUIPMENT							
I-10705	Oil Mix for Equipment, Maint	R	7/17/2013	95.46		015746		95.46
00238	VCSDA							
I-1029	Annual Dues 7/13-6/14	R	7/17/2013	150.00		015747		150.00
00247	County of Ventura							
I-070913	Encroachment Permits	R	7/17/2013	1,760.00		015748		
I-170438	Encroach Permit-OV Wtr Lines	R	7/17/2013	3,980.00		015748		5,740.00
00251	VENTURA COUNTY STAR							
I-1094176	Notice of Public Hearing	R	7/17/2013	94.08		015749		94.08
00254	VENTURA LOCKSMITHS							
I-11638	Keys Made for LCRA	R	7/17/2013	17.20		015750		17.20
00949	CITY OF VENTURA							
I-703207	Refund for Overpayment	R	7/17/2013	88.46		015751		88.46
01283	Verizon Wireless							
I-9707638082	Monthly Cell Charges Dist Ofc	R	7/17/2013	669.93		015752		
I-9707638172	Monthly Cell Charges LCRA	R	7/17/2013	232.65		015752		902.58

VENDOR I.D.	NAME	STATUS	CHECK DATE	INVOICE AMOUNT	DISCOUNT	CHECK NO	CHECK STATUS	CHECK AMOUNT
02555	Gregg Waugh Boating Fee Refund	R	7/17/2013	13.00		015753		13.00
00270	WELLS FARGO BANK							
	Accrue Use Tax	R	7/17/2013	24.42CR		015754		
	Accrue Use Tax	R	7/17/2013	24.42		015754		
	Books for Fish, Paint for TP	R	7/17/2013	408.81		015754		408.81
00271	WEST COAST AIR CONDITIONING							
	A/C Repair, LCRA	R	7/17/2013	124.00		015755		
	A/C Repair, Lab Area	R	7/17/2013	150.00		015755		274.00
01500	WORKRITE							
	PPE Uniforms for E&M	R	7/17/2013	670.49		015756		670.49
1	Albert Kelley							
	TS Refund	R	7/17/2013	85.00		015757		85.00
1	Michael Walsh							
	TS Refund	R	7/17/2013	70.00		015758		70.00
00128	INTERNAL REVENUE SERVICE							
	Federal Withholding	D	7/11/2013	20.39CR		071131		
	FICA Withholding	D	7/11/2013	35.78CR		071131		
	Medicare Withholding	D	7/11/2013	8.36CR		071131		
	Federal Withholding	D	7/11/2013	34.32		071131		
	Federal Withholding	D	7/11/2013	23,394.64		071131		
	FICA Withholding	D	7/11/2013	53.06		071131		
	FICA Withholding	D	7/11/2013	26,101.98		071131		
	Medicare Withholding	D	7/11/2013	12.40		071131		
	Medicare Withholding	D	7/11/2013	6,104.58		071131		55,636.45
00049	STATE OF CALIFORNIA							
	State Withholding	D	7/11/2013	7,815.76		071132		7,815.76
00187	CALPERS							
	PERS BUY BACK	D	7/11/2013	142.74		071133		
	PEBRA EMPLOYEES PORTION	D	7/11/2013	129.66		071133		
	PERS EMPLOYEE PORTION	D	7/11/2013	9,852.47		071133		
	PEBRA EMPLOYER PORTION	D	7/11/2013	129.66		071133		
	PERS EMPLOYER PORTION	D	7/11/2013	12,166.56		071133		22,421.09

7/18/2013 8:18 AM
 VENDOR SET: 01 Casitas Municipal Water D
 BANK: AP ACCOUNTS PAYABLE
 DATE RANGE: 7/08/2013 THRU 7/17/2013

A/P HISTORY CHECK REPORT

VENDOR I.D.	NAME	STATUS	CHECK DATE	INVOICE AMOUNT	DISCOUNT	CHECK NO	CHECK STATUS	CHECK AMOUNT
* * T O T A L S * *								
		NO		INVOICE AMOUNT		DISCOUNTS		CHECK AMOUNT
	REGULAR CHECKS:	102		264,934.68		0.00		264,934.68
	HAND CHECKS:	0		0.00		0.00		0.00
	DRAFTS:	3		85,873.30		0.00		85,873.30
	EFT:	0		0.00		0.00		0.00
	NON CHECKS:	0		0.00		0.00		0.00
	VOID CHECKS:	0	VOID DEBITS	0.00				
			VOID CREDITS	0.00		0.00		
				0.00				
TOTAL ERRORS: 0								
VENDOR SET: 01	BANK: AP	TOTALS:	105	350,807.98		0.00		350,807.98
BANK: AP	TOTALS:		105	350,807.98		0.00		350,807.98
REPORT TOTALS:			107	350,807.98		0.00		350,807.98

CASITAS MUNICIPAL WATER DISTRICT
Inter-Office Memorandum

DATE: July 18, 2013
TO: Board of Directors
FROM: General Manager, Steve Wickstrum
Re: Water Resources Committee Meeting of July 15, 2013

RECOMMENDATION:

It is recommended that the Board of Directors receive and file this report.

BACKGROUND AND OVERVIEW:

1. **Roll Call.** Director Baggerly and Director Bergen.
General Manager Steve Wickstrum
Public – Mrs. Pat Baggerly
2. **Public Comments.** None.
3. **Board Comments.**
Director Bergen commented that she had teleconferenced into her first meeting for the State Department Fish and Wildlife, representing agricultural constituents on the grant selection committee. Director Baggerly congratulated Director Bergen on the appointment to the committee.
4. **Manager Comments.**
The General Manager announced that the District had just received a letter from the Bureau of Reclamation that provided an exemption for the provisions of Federal Reclamation Law, specifically the Reclamation Reform Act of 1982. This would eliminate the need to seek, update, and report agricultural landholding forms. The exemption came as a result of the completion of the repayment for the Ventura River Project in January 2012. Director Bergen and staff were pleased to see the letter. Further notification of this event will be pursued by staff. This does not remove the requirement to report annual crop production (Crop Reports).
5. **Request for leak relief from John Houghton.**
The District has received a request for leak relief from Mr. John Houghton in the amount of \$659.88. Staff had recognized a high water use at the Houghton property and notified Mr. Houghton, which was responded to in a rapid manner. Mr. Houghton's request for leak relief conforms to the District's policy. The relief is in excess of \$500 approval level of staff, therefore this item will be moved to the Board for consideration.
6. **Discussion regarding condition of water supply and demand.**
The Committee discussed the current status of Lake Casitas, withdrawal rates, and the transitioning of well users to Lake Casitas supply. Staff is continuing to develop the amendments to the drought plan and allocations.

7. **Discussion regarding water conservation.**

Director Baggerly and the General Manager discussed further the meeting with the Ojai Green Coalition on July 11, 2013. Many good ideas were shared at the meeting, areas where the Coalition can focus efforts and the District may be able to expand outreach.

CASITAS MUNICIPAL WATER DISTRICT
Inter-Office Memorandum

DATE: July 18, 2013
TO: Board of Directors
FROM: General Manager, Steve Wickstrum
Re: Personnel Committee Meeting of July 8, 2013

RECOMMENDATION:

It is recommended that the Board of Directors receive and file this report.

MEETING:

1. **Roll Call.** Directors Jim Word and Russ Baggerly
General Manager Steve Wickstrum
Staff – Rebekah Vieira, Carol Belser
2. **Public Comments.** None.
3. **Board/Manager comments.** None
4. **Discussion regarding delay to Employer Shared Responsibility under the Affordable Care Act.**

Rebekah Vieira reported that as of July 2, 2013, the US Treasury Department issued a memorandum announcing that the Administration will provide an additional year before the ACA mandatory employer and insurer reporting requirements begin. The Treasury announcement stated that “Within the next week, we will publish formal guidance describing this transition” and “We expect to publish proposed rules implementing these provisions this summer, after a dialogue with stakeholders.”

The Committee was aware that based on the knowledge of the ACA on June 26th that the ACA would be applied on January 1, 2014, the Board of Directors took action on June 26, 2013, to established the District’s definition for part-time and seasonal workers that is consistent with the ACA and would comply with the look-back period and safe harbor for determining ACA applicability of employees.

Director Baggerly stated that it has been reported to him that the change to 29 hours a week for part-time employees is causing personnel scheduling problems at the Lake Casitas Recreation Area. At the time of this committee meeting, there is a lack of confirming information regarding whether this delay affect all or only some parts of the ACA. Of particular concern is if there was no delay of the look-back period for determining full-time employment.

Director Baggerly requested that the Board reconsider and reverse the action taken on June 26th. The Committee agreed that there may be more information

made available by the Treasury Department and that staff should bring this topic to the Board of Directors on July 24th.

5. **Closed Session: (Govt. Code Sec. 54957.6) conference with Labor Negotiator.**

Director Word moved the committee meeting to closed session at 4:50 p.m.

Director Word moved the meeting back into open session at 5:05 p.m.

The General Manager reported that the Committee met with the labor negotiator and no action was taken.

CASITAS MUNICIPAL WATER DISTRICT
Inter-Office Memorandum

DATE: July 19, 2013
TO: Board of Directors
FROM: General Manager, Steve Wickstrum
Re: Finance Committee Meeting of July 19, 2013

RECOMMENDATION:

It is recommended that the Board of Directors receive and file this report.

BACKGROUND AND OVERVIEW:

1. **Roll Call.**
Director Bergen and Director Kaiser
General Manager Steve Wickstrum
Accounting Manager and Treasurer Denise Collin
2. **Public comments.** None.
3. **Board/Management comments.**
Director Kaiser raised the point of making sure that project cost proposals that are not budgeted or over the authority of the General Manager are first reviewed by the Committee. The Committee agreed with Director Kaiser's point and that there are several items that will be discussed today that will follow this point.

The General Manager provided notice to the Committee that he had a telephone call from Jeff Pratt, Ventura County Public Works Director, regarding additional funding shortfalls in the San Antonio Creek Spreading Ground Project. There has been no formal request of Casitas to consider additional funding assistance, therefore this item will not move forward for Casitas' consideration.

The General Manager has recently been made aware of several projects that staff is proposing to be moved to the Board as soon as possible, but only after the General Manager has reviewed each project with the Finance Committee. The projects area as follows:

- a) Contract with Consulting West for electrical engineering services for the Upper Ojai 3(M) Pump Plant In the amount of \$33,900. This project is budgeted and is necessary as the District moves their pump plants to comply with Arc-Flash safety requirements. Beginning the project is time sensitive to match seasonal water demands. The project cost exceeds the General Manager's authority of cost approval. The Committee agreed that this project be considered by the Board of Directors.
- b) Purchase Order for Asphalt Patch for Waterline replacements in Oak View. Staff are presently replacing approximately 117 water service laterals in Oak View, prior to the County's resurfacing of all roads in Oak View this September. The work requires asphalt patching each location. Bids have been received and staff is making a recommendation to award the bid in the amount of \$23,985. The Committee agreed that this project be

- considered by the Board of Directors.
- c) Truck Purchases. Staff has performed the bidding to replace four vehicles in the current fleet. The total bid cost received by staff for the four vehicles is \$115,000. The FY 2013-14 Budget includes \$140,000 for the replacement of five vehicles. The Committee reviewed the results of the vehicle bid and agreed that the bids be moved forward to the Board of Directors for consideration and approval of the purchase orders.

The General Manager informed the Committee that a request to approve dual signatory for funds held at Ojai Valley Bank be moved to the Board for consideration and approval. The funds at Ojai Valley Bank are associated with the loan program for water well restoration.

4. **Review of the Financial Statement for June 2013.**

The Committee reviewed the financial statement for June 2013. The Committee reviewed the expenditures in various work sections of the District and noted no unusual expenditures. Denise Collin indicated a small error in locating the Seasonal Pay in Services and Supplies section of the financial statement, which will be changed to the payroll section. It was noted by Denise Collin that additional accruals are continuing to be added to the year-end statement. The Committee reviewed the preliminary statement on Reserves, which will not be finalized until late August 2013.

5. **Review of the Water Consumption for June 2013.**

The Committee reviewed the water consumption numbers for June 2013, which provides a full fiscal year data. Water sales have notable increase in the Agriculture and Pumped resale classifications. Director Kaiser expressed appreciation that the Water Resources Committee is continuing to press on the drought planning. The Committee also discussed the need to review the financial aspects that will be associated with the drought plan. It was noted that Lake Casitas is becoming the primary water supply as groundwater conditions worsen.

6. **Review of the California Special District Association's article on "Special District reserve Guidelines".**

Denise Collin reviewed the District position with respect to the Guidelines. While it appears that the District is already following the Guidelines, it is recommended that the District consider more written definition of the reserve elements. The Committee agreed that this is a task to be accomplished in the near future.

7. **Discussion regarding Change Order No. 2 – Asphalt Repair & Crack Sealing in the amount of \$6,416.**

The General Manager presented to the Committee staff's recommendation for a change order to a current contract. The change order was for additional asphalt repair work on the Casitas Dam Access Road, justified by the Principal Civil Engineer and moved onward at the time of the work. The change order is more than 10% of the contract amount, therefore this change order must be considered by the Board for approval. The Committee agreed that this be moved forward to the Board for consideration of approval.

8. **Discussion regarding a purchase order to Irwin industries in the not to exceed amount of \$27,632 to provide and deliver two aluminum platforms with ship's ladders to the Rincon Reservoir site.**

The engineering staff has designed access platforms for the Rincon Balancing Reservoirs that will comply with CalOSHA requirements. Staff has received bids for the provision of materials and construction of the access platforms, which is a FY 2013-14 budgeted project, and it

appears that Irwin Industries is the lowest responsible bidder on this project. The project cost exceeds the cost approval authority of the General Manager; therefore this project is requested to be moved to the Board for consideration of accepting the bid. The Committee discussed the need to comply with CalOSHA requirements at reservoirs and agreed that this project be moved forward to the Board of Directors.

CASITAS MUNICIPAL WATER DISTRICT
Inter-Office Memorandum

DATE: July 18, 2013

TO: Board of Directors

FROM: General Manager, Steve Wickstrum

Re: General Manager's Report - Exemption from the Ownership and Full-Cost Pricing Provisions of Federal Reclamation Law

RECOMMENDATION:

It is recommended that the Board of Directors receive and file this information.

BACKGROUND AND OVERVIEW:

The Reclamation Reform Act of 1982 (RRA) imposed a reporting requirement on to agricultural property owners of the Casitas Municipal Water District, as well as the western United States. The purpose of the RRA was to assure that the benefit of the Reclamation project was distributed to the public, rather than just a few private entities. The RRA established landholding limitations where federal project water was served to support agriculture.

Over the past thirty years there have been many new rules and requirements for reporting, all of which the district complied with in a timely manner with the cooperation of its agricultural customers. The District, in particular Carole Iles, has spent countless hours on an annual basis in the mailing and gathering of forms, answering agricultural customer questions on how to complete the forms, chasing down late forms, and eventually compiling the forms into a summary.

The District had become aware that once the repayment for construction contracts are completed, the Bureau of Reclamation may issue an exemption from the requirement of the RRA. The District made its request for the exemption as it made its final repayment contract payment in January 2012. The attached letter from the Bureau of Reclamation provides the long-awaited exemption from the RRA requirements.

While the exemption means that staff and agricultural customers will no longer be burdened by the requirements of the RRA, we will store the records until sometime in the future they can be properly disposed. We will be continuing the annual reporting of crop production by agricultural customers, which is not a part of the RRA, but rather a part of our current contract with the Bureau of Reclamation.

If you have any question in this regard, please ask me.



United States Department of the Interior

BUREAU OF RECLAMATION
Washington, DC 20240

REC'D JUL 15 2013

JUL 02 2013

IN REPLY REFER TO:

84-53000
LND-9.00

Mr. Steve Wickstrum
Manager
Casitas Municipal Water District
1055 Ventura Avenue
Oak View, California 93022

Subject: Exemption From the Ownership and Full-Cost Pricing Provisions of Federal Reclamation Law

Dear Mr. Wickstrum:

Section 213 of the Reclamation Reform Act of 1982 (RRA) and section 426.16 of the Acreage Limitation Rules and Regulations provide that land in a district is exempt from the ownership and full-cost pricing provisions of Federal reclamation law when a district has fully repaid its construction cost obligation in accordance with the terms of its repayment contract with the Bureau of Reclamation.

Reclamation's financial records indicate that Casitas Municipal Water District (Casitas) has repaid the construction charges associated with its March 7, 1956, repayment contract (Contract No. 14-06-200-5257 as amended). The date of the final payment was January 30, 2012.

This letter serves as official notification that land included in Casitas is exempt from the ownership and full-cost pricing provisions of Federal reclamation law. The exemption remains in effect until the requirements of Federal reclamation law, including section 203(a) of the RRA dictate otherwise.

Please note that as a result of being exempt from the ownership and full-cost pricing provisions of Federal reclamation law, the RRA forms submittal requirements no longer apply to Casitas. However, other RRA provisions (for example, the water conservation provisions), and relevant contract provisions remain in effect. Also, be aware that this exemption does not relieve Casitas of any other existing or future obligations to the United States, including the obligation to pay any applicable operation and maintenance costs.

The Mid-Pacific (MP) Regional Office has advised me that all follow-up actions have been completed with respect to the final water district review conducted on October 22, 2012. Therefore, upon receipt of this letter, Casitas may discard all the landholder RRA forms in its

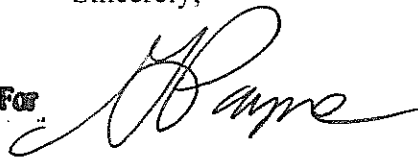
files by burning, shredding, or pulping them in accordance with the Privacy Act disposal requirement.

Congratulations to Casitas for having completed repayment of its construction cost obligation to the United States and having achieved exemption from the ownership and full-cost pricing provisions of Federal reclamation law.

If you have any questions regarding this matter, please contact Ms. Janice Webb at the MP Regional Office in Sacramento, California at 916-978-5289.

Sincerely,

Acting For

A handwritten signature in black ink, appearing to read "M. Connor", written in a cursive style.

Michael L. Connor
Commissioner

CASITAS MUNICIPAL WATER DISTRICT
Inter-Office Memorandum

DATE: July 18, 2013
TO: Board of Directors
FROM: General Manager, Steve Wickstrum
Re: Leak Relief – Mr. John Houghton

RECOMMENDATION:

It is recommended that the Board of Directors consider and approve Mr. John Houghton's request for leak relief in the amount of \$659.88.

BACKGROUND AND OVERVIEW:

Staff had recognized a high water use at the Houghton property and notified Mr. Houghton, which was responded to in a rapid manner. The District has received a request for leak relief from Mr. John Houghton and calculated by staff to be in the amount of \$659.88. Mr. Houghton's request for leak relief conforms to the District's policy.

The leak relief has been reviewed by the Water Resources Committee on July 15, 2013. The relief is in excess of \$500 approval level of staff, therefore this item must be reviewed by the Board of Directors.

If there any question in this regard, please do not hesitate to ask for answers.

Attachment: Letter dated April 17, 2013 – Mr. Houghton

April, 17th 2013

From: John Houghton
4444 Grand Ave
Ojai, CA 93023

Casita Water Company,
To whom it may concern:

On 4/10 I received a call from Scott M. of Casitas Water informing me my water meter detected a leak, and we had used over 4 and a half times our normal usage already this month. I was on my way to the house so we agreed to meet at 11 AM and he would explain my situation. He met me and explained everything I needed to do perfectly.

I was particularly disturbed because when we bought the house in August we found we had severe undisclosed leaks in the irrigation system of the 76 Orange trees... and our first water bill ---which was only for the irrigation as we were not living here but waiting on construction permits --- was over \$850. In order to find the leaks we immediately had to clear the property grounds and put in a temporary fix to the system. This cost does not concern you; but it was over \$2000.

During the construction process we hired a professional Landscaping service to completely re design the grounds and put in a permanent system that would be computerized so as to only use the minimum amount of water needed to service the property i.e. drip and small sprays that are on 11 stations of timers for 1 to 20 minutes 3 times a week depending on natural rain etc. We have had problems with this and I have not been able to get return calls or emails from the landscaping service for repair; but again this is not your concern. I now have a local gardener who is fixing and agreed to fix any situations that need attention or do arise and I am happy with him.

Regarding this huge leak problem I called Jeff Wells of R. G. Wells Plumbing and he came the next morning 4/11 and was able to isolate the leak . He then stopped the leakage and returned 4/12 to and had a man dig it out and said he would do the permanent repair on Tuesday 4/16 ---Be aware the leak was stopped --- Jeff fixed the leak on 4/16 and re-routed the pipes in sand so there would not be any further issue. I am enclosing picture via email to Shelby.

We owe a debt to you guys ---The Casitas Water Company ---for alerting me to the problem which had you not notified me could have grown as large as the National Debt; because the water was all underground and could Not be seen or detected by sight.

Because we have spent so much money to get a proper system in place and to avoid excess water usage we are asking for consideration or any possible relief from a

portion of this upcoming bill which is going to be enormous. I am including the bill from Jeff Wells and pictures of the repair as proof of our rapid response toward the situation that existed. I believe we have demonstrated by our actions to we are willing to spend money to put systems in place to save precious water and use it wisely.

Please do not hesitate to call if you have any further questions.

Good Thoughts

John Houghton & Susan Taylor

CASITAS MUNICIPAL WATER DISTRICT
Inter-Office Memorandum

DATE: July 19, 2013
TO: Board of Directors
FROM: Assistant to General Manager, Rebekah Vieira
Re: Reconsideration of the definition of Part-time status

RECOMMENDATION:

It is recommended that the Board of Directors discuss reconsideration of the definition of part time status that was adopted with Resolution No 13-21, rescind Resolution No. 13-21 and adopt a new resolution defining part-time and seasonal status.

BACKGROUND AND OVERVIEW:

On June 12, 2013 the board adopted Resolution No. 13-21 establishing parameters for Seasonal and Part-time status of employment and defined the look-back period for determining benefits eligibility. This was an effort to establish guidelines that fell in line with definitions issued by the Federal Government in the Affordable Care Act. This was also done to ensure the district did not suffer the \$2,000 and \$3,000 penalties in the ACA.

On July 2, 2013, the Whitehouse.gov blog and the US Treasury Department blog issued a notice announcing that the Administration will delay the employer mandatory reporting requirements under the Affordable Care Act for one year. Notice 2013-45 was issued to provide additional information on the Transition Relief for 2014 reporting the Employer Shared Responsibility. This notice encourages employers to voluntarily comply with the information and reporting provisions for 2014. It also states proposed rules for the information reporting provisions are expected to be published this summer. Additionally there has still not been any final ruling on proposed rules for Shared Responsibility of Employers that were discussed at a hearing in April of this year.

Since the Board's action in June, and the subsequent delay in the employer mandate, it has been reported that the reduction in hours for some part-time employees has caused scheduling problems at Lake Casitas Recreation Area and Director Baggerly has requested that the board reconsider the action of June 12th in light of the delay to the Employer Shared Responsibility under the Affordable Care Act.

It is recommended that the board adopt the resolution rescinding Resolution No. 13-21 and re-establish part-time status as an employee working up to 40 hours per week with a maximum of up to 1,500 hours per calendar year. Additionally, it is recommended that the seasonal status be kept as it is a useful designation. It is understood that the District will need to further asses its part-time staffing needs and may re-define the maximum hours a part-time employee may work prior to January 1, 2014 pending guidance under the ACA.

Attached is the adopted resolution, notices from the US Treasury and Whitehouse blogs, Notice 2013-45 and an article from the Society of Human Resource Management.

CASITAS MUNICIPAL WATER DISTRICT

**RESOLUTION RESCINDING RESOLUTION 13-21
AND RE-STATING PARAMETERS FOR DESIGNATING
SEASONAL AND PART-TIME STATUS OF EMPLOYMENT**

WHEREAS, the Federal Government has delayed the Employer Shared Responsibility Mandate of the Affordable Care Act which prompted the district to define seasonal status and part-time employment status in Resolution No. 13-21, and

WHEREAS, the District desires to rescind Resolution No. 13-21 and re-state the definition of seasonal and part-time status.

NOW, THEREFORE, BE IT RESOLVED by the Board of Directors of the Casitas Municipal Water District as follows:

1. Seasonal status is defined as employees who are hired on a temporary basis to work fewer than 120 calendar days. Seasonal employees are not eligible for benefits.
2. Part-Time status is defined as employees who are hired on a temporary basis to work up to 40 hours per week and may work up to 1,500 hours per calendar year. Part-time employees are not eligible for benefits.
3. The District may need to revise this Resolution and the definitions of Part-time and Seasonal employees prior to January 1, 2014, pending guidance under the provisions in the Affordable Care Act.

ADOPTED this 24th day of July, 2013

James W. Word, President,
Casitas Municipal Water District

ATTEST:

Mary Bergen, Secretary,
Casitas Municipal Water District

CASITAS MUNICIPAL WATER DISTRICT

**RESOLUTION ESTABLISHING PARAMETERS FOR DESIGNATING
SEASONAL AND PART-TIME STATUS OF EMPLOYMENT**

WHEREAS, the Federal Government has defined seasonal status and part-time employment status, and

WHEREAS, the District desires to formally adopt definitions to seasonal and part-time status.

NOW, THEREFORE, BE IT RESOLVED by the Board of Directors of the Casitas Municipal Water District as follows:

1. Seasonal status is defined as employees who are hired on a temporary basis to work fewer than 120 calendar days. Seasonal employees are not eligible for benefits.
2. Part-Time status is defined as employees who are hired on a temporary basis to work an average of 29 hours per week or less and may work 999 hours or less per calendar year. Part-time employees are not eligible for benefits.
3. The “look-back” period under the Patient Protection Affordable Care Act will begin April 1, 2013.

ADOPTED this 12th day of June, 2013

James W. Word, President,
Casitas Municipal Water District

ATTEST:

Mary Bergen, Secretary,
Casitas Municipal Water District

U.S. DEPARTMENT OF THE TREASURY

Treasury Notes

Continuing to Implement the ACA in a Careful, Thoughtful Manner

By: Mark J. Mazur 7/2/2013

Over the past several months, the Administration has been engaging in a dialogue with businesses - many of which already provide health coverage for their workers - about the new employer and insurer reporting requirements under the Affordable Care Act (ACA). We have heard concerns about the complexity of the requirements and the need for more time to implement them effectively. We recognize that the vast majority of businesses that will need to do this reporting already provide health insurance to their workers, and we want to make sure it is easy for others to do so. We have listened to your feedback. And we are taking action.

The Administration is announcing that it will provide an additional year before the ACA mandatory employer and insurer reporting requirements begin. This is designed to meet two goals. First, it will allow us to consider ways to simplify the new reporting requirements consistent with the law. Second, it will provide time to adapt health coverage and reporting systems while employers are moving toward making health coverage affordable and accessible for their employees. Within the next week, we will publish formal guidance describing this transition. Just like the Administration's effort to turn the initial 21-page application for health insurance into a three-page application, we are working hard to adapt and to be flexible about reporting requirements as we implement the law.

Here is some additional detail. The ACA includes information reporting (under section 6055) by insurers, self-insuring employers, and other parties that provide health coverage. It also requires information reporting (under section 6056) by certain employers with respect to the health coverage offered to their full-time employees. We expect to publish proposed rules implementing these provisions this summer, after a dialogue with stakeholders - including those responsible employers that already provide their full-time work force with coverage far exceeding the minimum employer shared responsibility requirements - in an effort to minimize the reporting, consistent with effective implementation of the law.

Once these rules have been issued, the Administration will work with employers, insurers, and other reporting entities to strongly encourage them to voluntarily implement this information reporting in 2014, in preparation for the full application of the provisions in 2015. Real-world testing of reporting systems in 2014 will contribute to a smoother transition to full implementation in 2015.

We recognize that this transition relief will make it impractical to determine which employers owe shared responsibility payments (under section 4980H) for 2014. Accordingly, we are extending this transition relief to the employer shared responsibility payments. These payments will not apply for 2014. Any employer shared responsibility payments will not apply until 2015.

During this 2014 transition period, we strongly encourage employers to maintain or expand health coverage. Also, our actions today do not affect employees' access to the premium tax credits available under the ACA (nor any other provision of the ACA).

Mark J. Mazur is the Assistant Secretary for Tax Policy at the U.S. Department of the Treasury.

Posted in: Tax Policy

[Get Email Updates](#) [Contact Us](#)

[Home](#) • [The White House Blog](#)

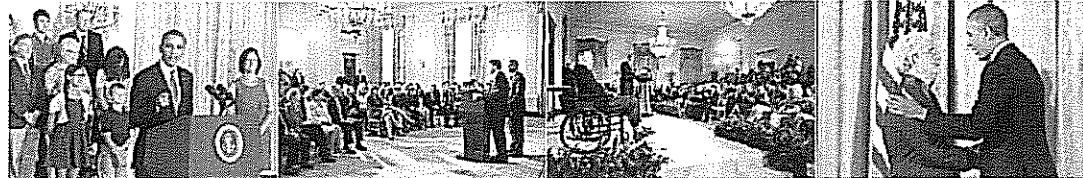
[Search WhiteHouse.gov](#)

[Search](#)

The White House Blog

[Subscribe](#)

Our Top Stories



[A Refund from Your Health Insurance Company? Thank the Affordable Care Act](#)

[Senate Confirms Richard Cordray as Consumer Watchdog](#)

[Expanding National Service](#)

[President Obama Presents the 2012 National Medals of Arts and Humanities](#)

We're Listening to Businesses about the Health Care Law



Valerie Jarrett

July 02, 2013
05:00 PM EDT

[Share This Post](#)

From the start, this Administration has encouraged an ongoing dialogue with the leaders of our nation's businesses, large and small. There's more to do, but working together we've helped rebuild our economy. Businesses have added 6.9 million private-sector jobs in the past 39 months and we've helped strengthen the middle class. Today, most Americans get their health insurance through their jobs and that will be the case moving forward.

To help restore middle class security, we are making health care more affordable to businesses, government, and American families through the Affordable Care Act. While major portions of the law have yet to be implemented, it's already a little more affordable for businesses to offer quality health coverage to their employees. A recent report suggests that medical cost growth will be lower in 2014 than an already low rate in 2013, both "defying historical patterns."

Starting next year, the law also ensures all Americans will have access to affordable health coverage. We are on target to open the Health Insurance Marketplace on October 1 where small businesses and ordinary Americans will be able to go to one place to learn about their coverage options and make side-by-side comparisons of each plan's price and benefits before they make their decision.

As we implement this law, we have and will continue to make changes as needed. In our ongoing discussions with businesses we have heard that you need the time to get this right. We are listening. So in response to your concerns, we are making two changes.

First, we are cutting red tape and simplifying the reporting process. We have heard the concern that the reporting called for under the law about each worker's access to and enrollment in health insurance requires new data collection systems and coordination. So we plan to re-vamp and simplify the reporting process. Some of this detailed reporting may be unnecessary for businesses that more than meet the minimum standards in the law. We will convene employers, insurers, and experts to propose a smarter system and, in the interim, suspend reporting for 2014.

Second, we are giving businesses more time to comply. As we make these changes, we believe we need to give employers more time to comply with the new rules. Since employer responsibility payments can only be assessed based on this new reporting, payments won't be collected for 2014. This allows employers the time to test the new reporting systems and make any necessary adaptations to their health benefits while staying the course toward making health coverage more affordable and accessible for their workers.

Just like our effort to turn the 21 page application for health insurance into a 3 page application, we are working hard to adapt and to be flexible in employer and insurer reporting as we implement the law.

[Health Care](#)

WHITEHOUSE.GOV IN YOUR INBOX

Sign up for health care updates

Your Email Address

PHOTOS OF THE DAY



[VIEW PHOTO GALLERIES](#)

JUMP TO:

[A Specific Month](#)

[Other White House Blogs](#)



Meanwhile, here is a quick review of what small and big businesses need to know about the health law and how it will work:

- If you are a small business with less than 50 workers, the law's employer shared responsibility policies does not apply to you. Instead, you will gain access to the Small Business Health Options Program that gives you the purchasing power of large businesses. In fact, you may be eligible for a tax credit that covers up to half the cost of insurance if you offer quality coverage to your employees
- If you own a business with more than 50 workers that already offers full-time workers affordable, quality coverage, you are fine – we'll work with you to keep that coverage affordable.
- And if you are a company with more than 50 employees but choose not to offer quality affordable coverage, we have provided as much flexibility and transition time as possible for you to move to providing affordable, quality coverage to your workers.

We are full steam ahead for the Marketplaces opening on October 1. For more information on what is coming check out: HealthCare.gov

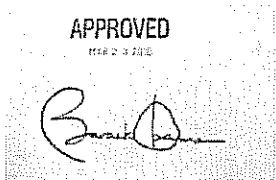
Valene B. Jarrett is a Senior Advisor to President Barack Obama. She oversees the Offices of Public Engagement and Intergovernmental Affairs

Related Topics: [Health Care](#)

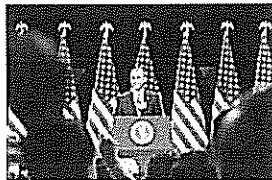
PREVIOUS POST
[Powering Africa](#)

NEXT POST
[Our 10 Favorite Fourth of July Moments](#)

Featured Content



Get the facts on health care reform.



Get the Facts on immigration reform.



Preparing students for the jobs of the future.

WWW.WHITESHOUSE.GOV

[En español](#) | [Accessibility](#) | [Copyright Information](#) | [Privacy Policy](#) | [Contact](#)
[USA.gov](#) | [Developers](#) | [Apply for a Job](#)

Transition Relief for 2014 Under §§ 6055 (§ 6055 Information Reporting), 6056 (§ 6056 Information Reporting) and 4980H (Employer Shared Responsibility Provisions)

NOT-129718-13

Notice 2013-45

I. PURPOSE AND OVERVIEW

This notice provides transition relief for 2014 from (1) the information reporting requirements applicable to insurers, self-insuring employers, and certain other providers of minimum essential coverage under § 6055 of the Internal Revenue Code (Code) (§ 6055 Information Reporting), (2) the information reporting requirements applicable to applicable large employers under § 6056 (§ 6056 Information Reporting), and (3) the employer shared responsibility provisions under § 4980H (Employer Shared Responsibility Provisions). This transition relief will provide additional time for input from employers and other reporting entities in an effort to simplify information reporting consistent with effective implementation of the law. This transition relief also is intended to provide employers, insurers, and other providers of minimum essential coverage time to adapt their health coverage and reporting systems. Both the information reporting and the Employer Shared Responsibility Provisions will be fully effective for 2015. In preparation for that, once the information reporting rules have been issued, employers and other reporting entities are encouraged to voluntarily comply with the information reporting provisions for 2014. This transition relief through 2014 for the information reporting and Employer Shared Responsibility Provisions has no effect on the effective date or application of other Affordable Care Act provisions.

II. BACKGROUND

Sections 6055, 6056, and 4980H were added to the Code by §§ 1502, 1514, and 1513, respectively, of the Patient Protection and Affordable Care Act (ACA), enacted March 23, 2010, Pub. L. No. 111-148.¹ Section 6055 requires annual information reporting by health insurance issuers, self-insuring employers, government agencies, and other providers of health coverage. Section 6056 requires annual information reporting by applicable large employers relating to the health insurance that the

¹ Section 4980H was amended by § 1003 of the Health Care and Education Reconciliation Act of 2010 (HCERA) (enacted March 30, 2010, Pub. L. No. 111-152) and was further amended by § 1858(b)(4) of the Department of Defense and Full-Year Continuing Appropriations Act, 2011 (enacted April 15, 2011, Pub. L. No. 112-10). Section 6056 was amended by §§ 10106(g) and 10108(j) of the ACA and was further amended by § 1858(b)(5) of the Department of Defense and Full-Year Continuing Appropriations Act, 2011. In this notice, the term Affordable Care Act refers to the ACA and HCERA, collectively.

employer offers (or does not offer) to its full-time employees. Section 4980H(a) imposes an assessable payment on an applicable large employer that fails to offer minimum essential coverage to its full-time employees (and their dependents) under an eligible employer-sponsored plan if at least one full-time employee enrolls in a qualified health plan for which a premium tax credit is allowed or paid. Section 4980H(b) imposes an assessable payment on an applicable large employer that offers minimum essential coverage to its full-time employees (and their dependents) under an eligible employer-sponsored plan but has one or more full-time employees who enroll in a qualified health plan for which a premium tax credit is allowed or paid (for example, if the coverage offered either does not provide minimum value or is not affordable to that full-time employee).

III. TRANSITION RELIEF

Q-1. When will the rules be published regarding § 6055 Information Reporting and § 6056 Information Reporting? How will these provisions apply for 2014?

A-1. The Affordable Care Act requires information reporting under § 6055 by insurers, self-insuring employers, government agencies, and certain other parties that provide health coverage and requires information reporting under § 6056 by applicable large employers with respect to the health coverage offered to their full-time employees. Proposed rules for the information reporting provisions are expected to be published this summer. The proposed rules will reflect the fact that transition relief will be provided for information reporting under §§ 6055 and 6056 for 2014. This transition relief will provide additional time for dialogue with stakeholders in an effort to simplify the reporting requirements consistent with effective implementation of the law. It will also provide employers, insurers, and other reporting entities additional time to develop their systems for assembling and reporting the needed data. Employers, insurers, and other reporting entities are encouraged to voluntarily comply with these information reporting provisions for 2014 (once the information reporting rules have been issued) in preparation for the full application of the provisions for 2015. However, information reporting under §§ 6055 and 6056 will be optional for 2014; accordingly, no penalties will be applied for failure to comply with these information reporting provisions for 2014.

Q-2. What does the 2014 transition relief for § 6056 Information Reporting mean for application of the Employer Shared Responsibility Provisions for 2014?

A-2. Under the Employer Shared Responsibility Provisions, an applicable large employer generally must offer affordable, minimum value health coverage to its full-time employees or a shared responsibility payment may apply if one or more of its full-time employees receive a premium tax credit under § 36B. The § 6056 Information Reporting is integral to the administration of the Employer Shared Responsibility Provisions. In particular, because an employer typically will not know whether a full-time employee received a premium tax credit, the employer will not have all of the

information needed to determine whether it owes a payment under § 4980H. Accordingly, the employer is not required to calculate a payment with respect to § 4980H or file returns submitting such a payment. Instead, after receiving the information returns filed by applicable large employers under § 6056 and the information about employees claiming the premium tax credit for any given calendar year, the Internal Revenue Service (IRS) will determine whether any of the employer's full-time employees received the premium tax credit and, if so, whether an assessable payment under § 4980H may be due. If the IRS concludes that an employer may owe such an assessable payment, it will contact the employer, and the employer will have an opportunity to respond to the information the IRS provides before a payment is assessed.

For this reason, the transition relief from § 6056 Information Reporting for 2014 is expected to make it impractical to determine which employers owe shared responsibility payments for 2014 under the Employer Shared Responsibility Provisions. Accordingly, no employer shared responsibility payments will be assessed for 2014. However, in preparation for the application of the Employer Shared Responsibility Provisions beginning in 2015, employers and other affected entities are encouraged to voluntarily comply for 2014 with the information reporting provisions (once the information reporting rules have been issued) and to maintain or expand health coverage in 2014. Real-world testing of reporting systems and plan designs through voluntary compliance for 2014 will contribute to a smoother transition to full implementation for 2015.

Q-3. Does this affect employees' access to the premium tax credit?

A-3. No. Individuals will continue to be eligible for the premium tax credit by enrolling in a qualified health plan through the Affordable Insurance Exchanges (also called Health Insurance Marketplaces) if their household income is within a specified range and they are not eligible for other minimum essential coverage, including an eligible employer-sponsored plan that is affordable and provides minimum value.

Q-4. What does this mean for other provisions in the Affordable Care Act?

A-4. This transition relief through 2014 for § 6055 Information Reporting, § 6056 Information Reporting, and the Employer Shared Responsibility Provisions has no effect on the effective date or application of other Affordable Care Act provisions, such as the premium tax credit under § 36B and the individual shared responsibility provisions under § 5000A.

IV. DRAFTING INFORMATION

The principal author of this notice is Kathryn Johnson of the Office of Associate Chief Counsel (Tax Exempt & Government Entities). For further information regarding this notice contact Kathryn Johnson at (202) 927-9639 (not a toll-free call).

Health Care Law's Employer Mandate Delayed Until January 2015

"Pay or play" postponed; most plan design, notice and fee requirements remain in place

7/3/2013

By Stephen Miller, CEBS

last updated July 12, 2013

The Obama administration caught the U.S. business community by surprise when it announced a one-year delay, until Jan. 1, 2015, in the Patient Protection and Affordable Care Act (PPACA or ACA) mandate that employers with 50 or more full-time-equivalent employees provide health care coverage to their full-time employees (those working on average 30 or more hours per week) or pay steep penalties.

The announcement, by Mark J. Mazur, the assistant secretary for tax policy at the U.S. Treasury Department, was made via the Treasury Notes blog late in the day on July 2, 2013. Mazur said the mandate's delay is intended to "provide time to adapt health coverage and reporting systems while employers are moving toward making health coverage affordable and accessible for their employees." He added: "During this 2014 transition period we strongly encourage employers to maintain or expand health coverage. Also, our actions today do not affect employees' access to the premium tax credits available under the ACA (nor any other provision of the ACA)."

The postponement of the employer "shared responsibility" coverage mandate—sometimes referred to as "pay or play"—is linked to a delay (announced at the same time) until 2015 in implementing two PPACA penalty-related information-reporting provisions: Section 6055, which requires reporting by insurers, self-insuring employers and other parties that provide health coverage; and Section 6056, which requires reporting by certain employers concerning the health coverage they offer to their full-time employees.

According to the announcement: "We recognize that this transition relief will make it impractical to determine which employers owe shared responsibility payments (under Section 4980H) for 2014. Accordingly, we are extending this transition relief to the employer shared responsibility payments. These payments will not apply for 2014. Any employer shared responsibility payments will not apply until 2015."

In other words, organizations will not face penalties for another year over employees who receive premium tax credits to purchase coverage on a government-run exchange.

However, "Many ACA provisions are unaffected by the delay, and employers must continue to implement and comply with them," advised an analysis by consultancy PricewaterhouseCoopers. "New individual and group health plan requirements taking effect for 2014 plan years include a ban on annual dollar limits on essential health benefits, a 90-day limit on eligibility waiting periods, new out-of-pocket limit maximums, the elimination of preexisting conditions exclusions for adults, and coverage of clinical trial participant costs." New fees and assessments—including the 'PCORI' and transitional reinsurance fees and a health insurer tax—"remain undisturbed by the delay."

Also remaining in place, for instance, are the reform act's requirement that most employer-provided health care include coverage for recommended preventive care—including contraceptive services for women with no cost-sharing—and the requirement for employers subject to the Fair Labor Standards Act to provide written notices about government-run exchanges to each of their employees and to all new hires by Oct. 1, 2013.

An alert from law firm Smith, Gambrell & Russell LLP states that despite the transition relief, "it appears that employers may need to...determine whether their group health plans meet the 'minimum value' requirements under PPACA for the 2014 plan year (i.e., whether their group health plans meet the 60 percent actuarial value standard)" because this information is required to be included in the summary of benefits and coverage (SBCs) provided in connection with coverage beginning on or after Jan. 1, 2014. These SBCs are to be provided during the fall 2013 open enrollment season.

Employers can postpone plans to expand coverage to new classes of employees or change cost-sharing structures to comply with affordability requirements.

On the other hand, "Employers who were planning to expand coverage to new classes of employees or dependents, or change cost-sharing structures to comply with affordability requirements, can postpone implementation of those changes for up to a year," according to an alert from law firm Nixon Peabody LLP. "Employers may wish to voluntarily comply with the new IRS reporting requirements beginning in 2014 in

Time to Review and Adjust Coverage

"This is terrific news for large employers all across the country," commented Helen Darling, president and CEO of the National Business Group on Health (NBGH), an employers group, in a media release. "The one-year delay will give employers much-needed additional time to make any necessary changes to their health care benefit programs and any other decisions to meet the law's requirements. It also gives employers relief from yet to be fully worked out reporting requirements and the administrative burdens of complying with a complex set of rules."

Steve Wojcik, vice president of public policy at the NBGH, questioned whether delays to other provisions in the PPACA might loom. "Most large employers are well into finalizing benefit changes and plans for 2014," he said. "It may mean a temporary pause for some; for others it may mean no change in their plans for 2014. But it's definitely a reprieve from reporting requirements and the dollars and staff time that would have been diverted to compliance with the mandate, though the law certainly has other components that have added to plan costs and administrative burdens already."

Darling advised HR and benefit managers to take time now to review any benefit-program changes they were contemplating for next year and to determine whether further modifications are warranted.

"The delay will most likely have the greatest effect on employers in industries with large numbers of part-time workers and with workforces whose hours fluctuate, including retail, hospitality, entertainment, agriculture and restaurants," Darling observed. "These employers were gearing up for hard decisions about not only health benefits but also staffing. Now they will have more time to make those decisions."

Coverage Remains Vital

"All of the reasons employers now have for offering coverage to their employees—significant tax subsidies, recruitment and retention of employees, and increased productivity and decreased absenteeism when employees are healthy—will continue to exist without the mandate penalty," said Timothy Jost, a professor at the Washington and Lee University School of Law, in a commentary on the Health Affairs Blog.

"It is to be hoped, moreover, that employers who have been claiming that they have to reduce their employees' hours of work to below 30 to avoid the penalties will restore the lost hours, and small employers fearful of growing over the 50 [full-time equivalent] threshold will focus on growing their businesses rather than worrying about the ACA," Jost added.

"We applaud the Obama administration's decision to delay until 2015 employers' reporting requirements and potential employer penalty payments under the Affordable Care Act," said James A. Klein, president of the American Benefits Council, an employers group, in a media statement. "This provides vital breathing room to implement the law in a more thoughtful and administrable way."

A critical view of health care reform was reiterated by the National Federation of Independent Business, a small-business lobby long opposed to the reform act. "Temporary relief is small consolation; we need a permanent fix to this provision to provide long-term relief for small employers," Amanda Austin, the group's director of federal public policy, said in a statement.

"Play or Pay" Penalties Delayed

Starting in 2015, employers with 50 or more full-time employees or equivalents that *do not offer coverage to their full-time employees* face a penalty of \$2,000 times the total number of full-time employees if at least one full-time employee receives a premium tax credit/subsidy to purchase coverage through a government-run health insurance exchange established under the PPACA.

Full-time employees are those who average 30 or more hours of work per week.

Employees with household income between 100 percent and 400 percent of the federal poverty level are eligible for tax credits for exchange coverage if they do not have access to affordable employer-sponsored coverage that is of at least a minimum value.

If employers with 50 or more full-time employees or equivalents *do offer coverage to their full-time employees* but the coverage is "unaffordable" (9.5 percent of income or higher) to certain employees or does not provide "minimum value" (the plan's share of total cost of benefits under the plan is less than 60 percent), the employers face a penalty of \$3,000 times the number of full-time employees receiving a premium tax credit/subsidy for exchange coverage (not to exceed \$2,000 times the total number of full-time employees).

Small-Group-Market Plans

On July 5, 2013, HHS issued a wide-ranging final rule (to be published in the *Federal Register* on July 15) that allows the federal government and state-run exchanges to rely heavily on self-reported information by those seeking tax credits/subsidies for policies purchased through an exchange, while auditing a sample of applications for accuracy (at least until 2015, when stronger verification systems may be in place). Along these lines, the final rule states that:

If the Exchange...does not have any available electronic data regarding the employment of an applicant and the members of his or her household or an applicant's attestation is not reasonably compatible with any available data... we proposed that the Exchange would place the applicant into a pool of applicants from which it would select a statistically significant sample of applicants, from whose employers the Exchange would request information regarding enrollment in an eligible employer-sponsored plan ...

For those individuals who are not part of this sample, the Exchange may accept the attestation of projected annual household income without further verification for purposes of the Exchange's eligibility determination. We expect that any Exchange that exercises this option will monitor the process closely and adjust the targeting and size of the sampled population as needed to ensure an effective verification process.

Stephen Miller, CEBS, is an online editor/manager for SHRM.

Related External Articles:

IRS Releases Additional Guidance on Delay of PPACA Play or Pay Penalties and Employer Reporting Requirements, Smith, Gambrell & Russell LLP, July 2013

With the Employer Mandate and Insurer Reporting Requirements Delayed, What's Left for 2014?, Troutman Sanders, July 2013

Four Things You Should Know About the Employer Mandate Delay, United Benefit Advisors, July 2013

Implementing Health Reform: A One-Year Employer Mandate Delay, Health Affairs Blog, July 2013

White House Delays Employer Mandate, But What About Rules Burdening Small Employers?, The Health Care Blog, July 2013

Employer Health Care Mandate and Reporting Requirements Delayed Until 2015, Nixon Peabody LLP, July 2013

Health Care Law's Employer Mandate Delayed Until January 2015, PricewaterhouseCoopers, July 2013

Delay in Obamacare Requirement Puts Onus on the Honor System, Reuters, July 2013

Health Insurance Marketplaces Will Not Be Required to Verify Consumer Claims, *Washington Post*, July 2013

Obamacare Delay Poses Legal Risk to Employers, CFO.com, July 2013

Related SHRM Articles:

Different Reasons Floated for Delay, *SHRM Online* Legal Issues, July 2013

Health Care Law's 30-Hour Rule Under Fire, *SHRM Online* Legal Issues, July 2013

Proposed Rule Clarifies Employer Mandate Calculations, *SHRM Online* Benefits, revised July 2013

A Rose Isn't Necessarily a Rose in PPACA's Baffling Terminology, *SHRM Online* Legal Issues, June 2013

Quick Links:

[SHRM Online Benefits page](#)

[SHRM Online Health Care Reform Resource Page](#)

Keep up with the latest news. Sign up for SHRM's free Compensation & Benefits e-newsletter

Like 0

Memo

To: General Manager

From: Manager of Operations

Date: July 19, 2013

Re: Capital Project 207 -- 3M Pump Plant Electrical Upgrade

Recommendation:

It is recommended that the Board of Directors approve a purchase order to Consulting West in the amount of \$33,900.00 for electrical engineering services to upgrade the 3M pump plant's electrical system.

Discussion:

The FY 2013/14 budget contains approved funding in the amount of \$314,500.00 for the upgrade of the 3M pump plant electrical system. The purchase order to Consulting West is for electrical engineering services addressing SCE submittals, equipment specifications, electrical drawings, integration of new control programs, and technical support.

Staff recommends that the electrical engineering and technical services for this complex and specialized project be provided under sole source designation from Consulting West due to the need for continuity between projects, unique expertise and practical working knowledge of the contractor.

The purchase order is a "not to exceed amount" for time and materials based on Consulting West's proposal dated 7-16-13.

**CASITAS MUNICIPAL WATER DISTRICT
INTEROFFICE MEMORANDUM**

TO: STEVEN E. WICKSTRUM, GENERAL MANAGER
FROM: NEIL COLE, CIVIL ENGINEER
SUBJECT: AUTHORIZE THE GENERAL MANAGER TO SIGN A PURCHASE ORDER WITH IRWIN INDUSTRIES FOR THE PURCHASE OF TWO PLATFORMS WITH SHIP'S LADDERS
DATE: JULY 11, 2013

RECOMMENDATION:

It is recommended that the Board of Directors authorize the General Manager to sign a purchase order with Irwin Industries for a not to exceed amount of \$27,632.00 to provide and deliver two aluminum platforms with ship's ladder to the Rincon Reservoir site.

BACKGROUND AND DISCUSSION:

Casitas has been in the process of improving safety at Casitas' reservoir sites by reducing the length of unbroken ladders leading to the reservoir roofs. This is accomplished at most of the reservoir sites while the reservoir interior is being coated. The program to improve reservoir safety was not in place when the interior of the Rincon Balancing Reservoirs were coated. The Rincon Balancing Reservoirs are two of the tallest reservoirs in Casitas' system. To reduce the length of unbroken vertical ladders at these two tanks, a platform with ship's ladder is required.

Request for Quotations to fabricate two platforms with ship ladder's were sent to four firms. Three firms submitted quotations. The quotations were:

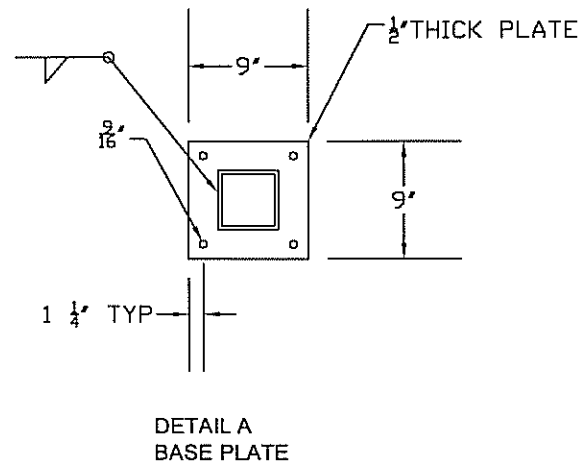
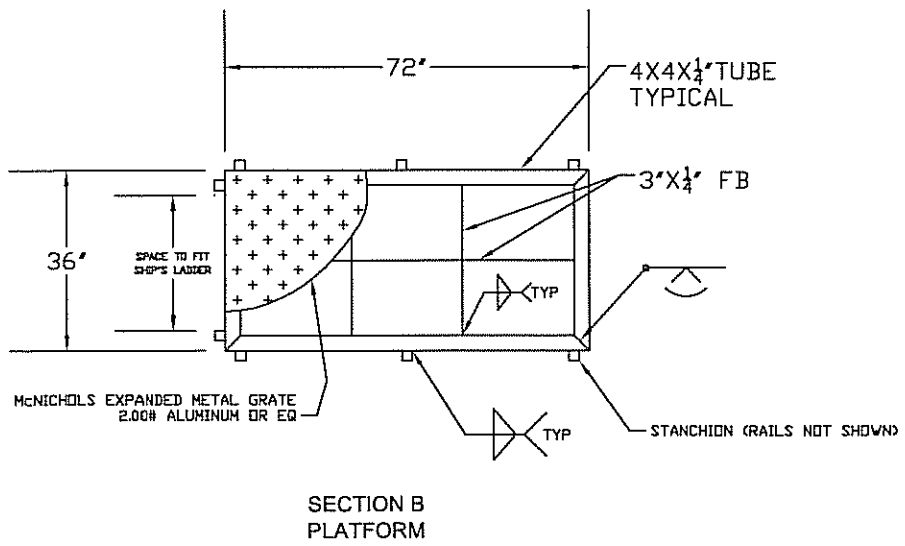
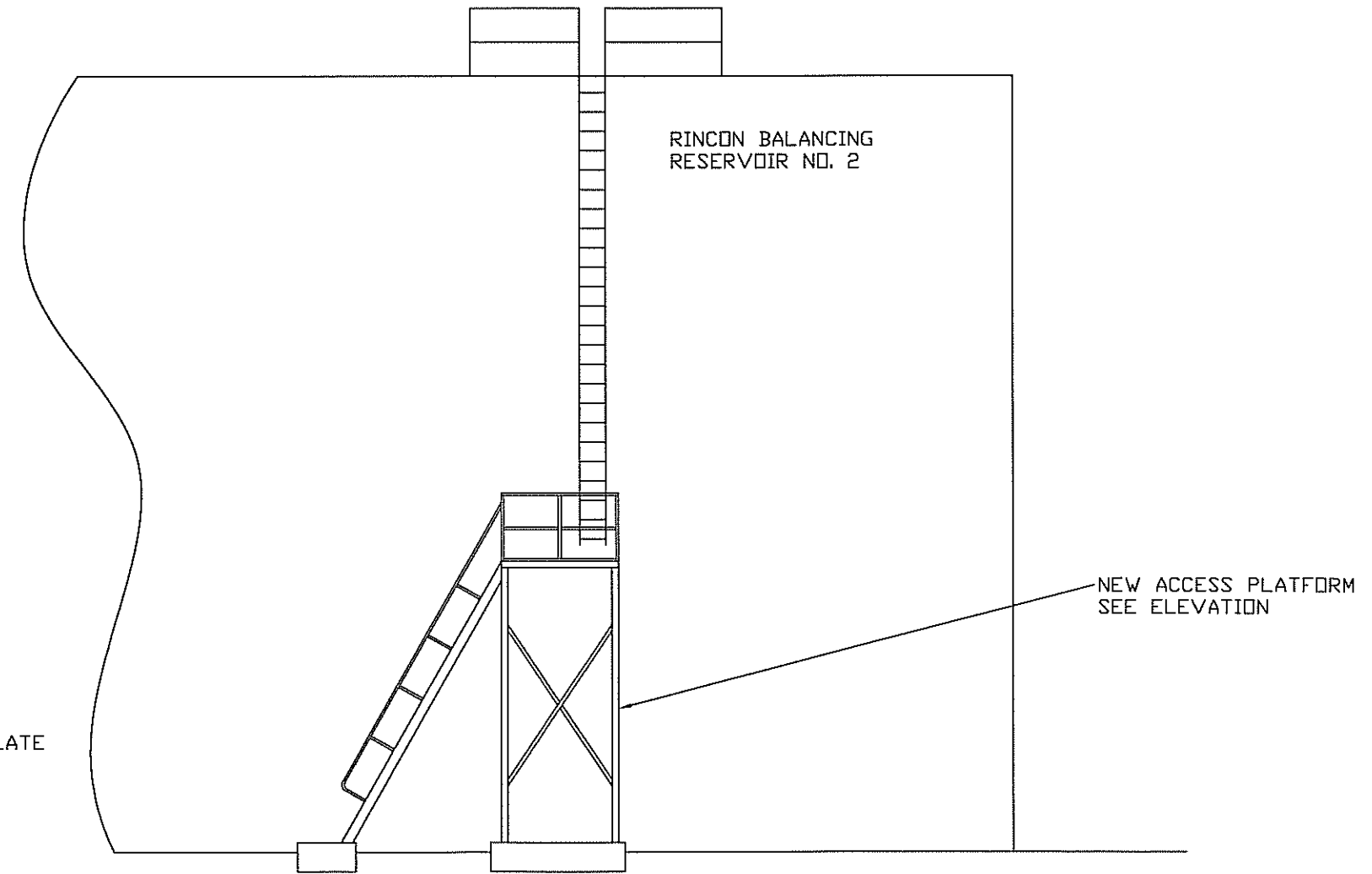
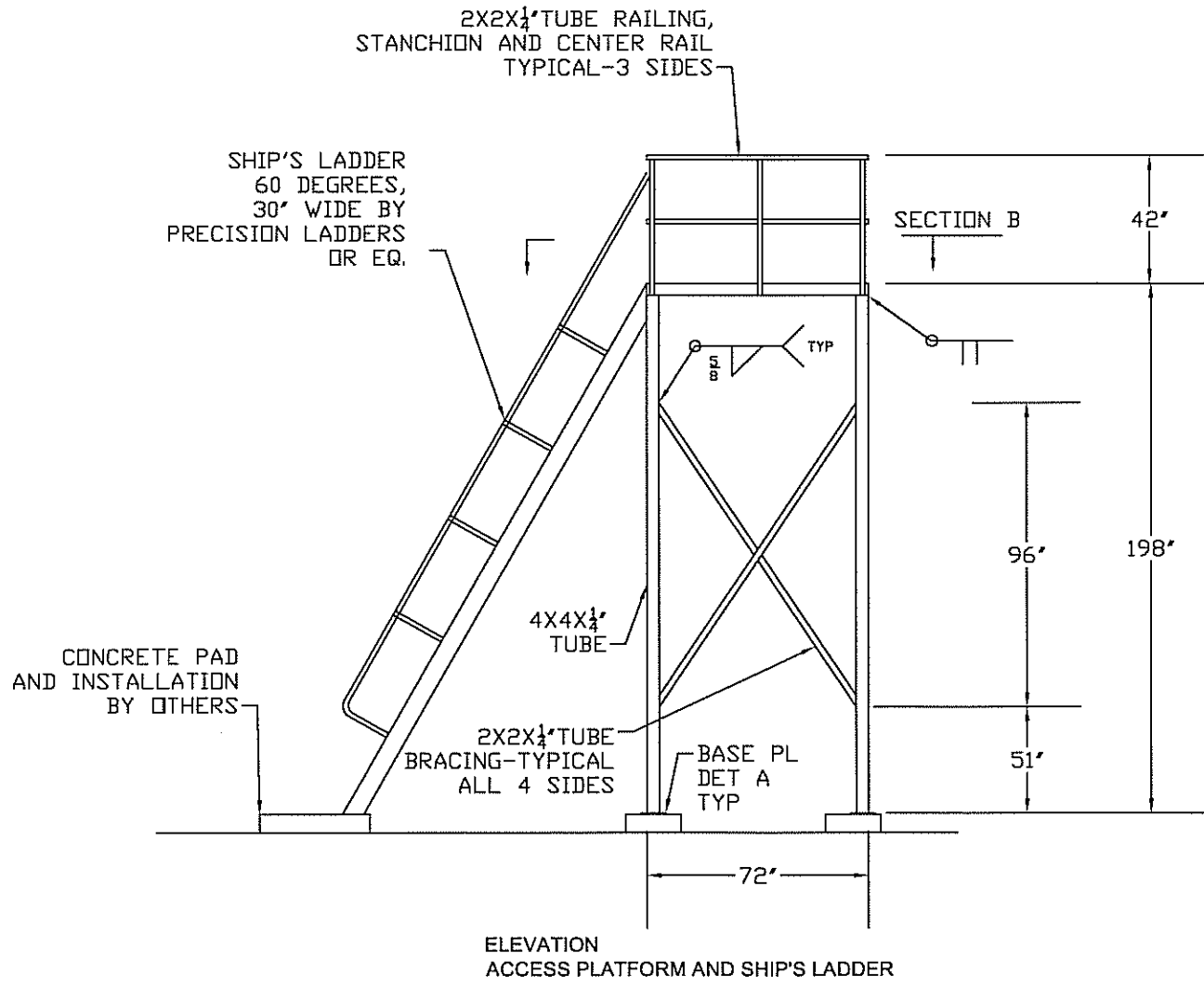
Firm	Bid price
Irwin Industries	\$27,632.00
Avenue Welding and Support Services	\$32,900.00
C.D. Lyon Construction	\$34,700.00

Irwin Industries has provided Casitas with similar structures in the past, most recently the catwalks for the pressure filters at the Treatment Plant. This project will only provide the platforms. Casitas staff will complete the installation and required modifications to the existing ladder system.

FUNDING:

Funding for this work is included in the FY 2013-14 Capital Budget in the amount of \$20,000. This project is \$7,632.00 over budget.

- NOTES:
 1. ALL MATERIAL SHALL BE 5000 SERIES ALUMINUM OR 6061 ALUMINUM.
 2. ALL WELDS SHALL BE 100% AND USE THE APPROPRIATE FILLER MATERIAL AND ROD MATERIAL TO OBTAIN A 100% WELD.



**CASITAS MUNICIPAL WATER DISTRICT
INTEROFFICE MEMORANDUM**

TO: PRINCIPAL CIVIL ENGINEER
FROM: ENGINEERING TECH.
SUBJECT: AUTHORIZE GENERAL MANAGER TO SIGN PURCHASE ORDER FOR ASPHALT PATCH FOR WATER LINE REPLACEMENT - SPECIFICATION # 13-365
DATE: 07/19/2013

Recommendation:

It is recommended that the Board of Directors authorize the General Manager to sign a Purchase Order Contract to the lowest responsible bidder, BC Rincon Construction, Inc. in the amount of **\$23,985.00** for the Asphalt Patch for Water Line Replacements, Specification No. 13-365

Background and Discussion:

Ventura County is planning on resurfacing streets in some Oak View neighborhoods beginning in September. Casitas crews are replacing water service lines in these streets prior to the start of the resurfacing project. This purchase order contract will provide for pavement repair where the water service lines are replaced. A total of 117 asphalt patches are anticipated.

The project was advertised through F.W. Dodge and on the District's web site. Four firms submitted proposals. The bid results are

<u>FIRM</u>	<u>BASE BID AMOUNT</u>	<u>COST PER ADDITIONAL TON OF AC</u>
B C Rincon Construction	\$23,985.00	\$125
J & H Engineering	\$24,570.00	\$500
DPM Construction	\$28,080.00	\$1500
Merriman Paving & Excavating	\$74,529.00	\$750

Funding for this work is included in FY 2013-14 Budget in account 11-5-53-5040-47.

**CASITAS MUNICIPAL WATER DISTRICT
INTEROFFICE MEMORANDUM**

TO: PRINCIPAL CIVIL ENGINEER
FROM: ENGINEERING TECH.
SUBJECT: AUTHORIZE GENERAL MANAGER TO SIGN CHANGE ORDER N^o 2 - ASPHALT
REPAIR & CRACK SEALING - SPECIFICATION # 13-362
DATE: 07/19/2013

Recommendation:

It is recommended that the Board of Directors authorize the General Manager to sign Change Order No.2 in the amount of \$ **6,416.00** for the Asphalt Repair & Crack Sealing Project, Specification No. 13.362

Background and Discussion:

On April 24, 2013 the Board approved a contract with BC Rincon Construction, Inc. to complete crack sealing, asphalt repairs and slurry seal at various locations in the District, primarily at the District's Office. Change Order No. 1 was later added to complete some asphalt patches on the Upper Ojai Reservoir access road.

During construction, additional asphalt was required. Specifically, the area by the external air conditioning unit required 6" thick asphalt instead of the assumed 3" thickness. Additionally, at the gate area, the old concrete encasement for the electrical conduits was removed on both sides and replaced with new asphalt increasing the coverage area. Additional paving was also completed at the Treatment Plant and on the Upper Ojai Reservoir Road. The FY 2012-13 budget included \$ 50,000 for this project. All work was completed prior to June 30, 2013.

CASITAS MUNICIPAL WATER DISTRICT

CHANGE ORDER NO. 2

Spec No. 13-362

DATE: July 09, 2013

PROJECT: ASPHALT REPAIR MAIN OFFICE, ASPHALT PATCH AT TREAT. PLANT & ADDITIONAL PATCH WORK AT UPPER OJAI BALANCING RESERVOIR ROAD. P.O. No. 15518
CONTRACTOR: BC RINCON CONSTRUCTION, INC.
ADDRESS: 67 E. La Loma Ave., Somis, CA 93066

ITEM	DESCRIPTION OF WORK	QUANTITY	UNIT PRICE	TOTAL
1	Change crack filler to Asphalt Patch work at Treatment Plant Road Drain by Weather Station.	Asphalt & Labor for 24 Patches & Drain	L.S.	\$ 3,126.00
2	Additional patch work on damaged AC on Upper Ojai Reservoir Road per proposal unit cost dated 5/23/2013.	380 Ft Sq.	\$ 2.75	\$ 1,045.00
3	Additional Asphalt tonnage for District Office by AC Unit (Patches w/variable slope @ +5" thick to drain & concrete encasing for gate-electrical ducts eliminated & replaced with asphalt. (Bigger patch to accommodate Gate System.) <i>Completed before JUN/30th/13</i>	23 Tons	L.S.	\$ 3,865.00
4	Credit for unused Item 3, Joint Sealant	1	L.S.	(\$1,620.00)

TOTAL AMOUNT OF CHANGE ORDER NO. 2

\$ 6,416.00

ORIGINAL PURCHASE ORDER AMOUNT

\$ 25,989.00

PREVIOUS APPROVED CHANGE ORDER AMOUNTS

\$ 3,459.50

NEW CONTRACT AMOUNT

\$ 35,864.50

APPROVED: _____

Steven E. Wickstrum
GENERAL MANAGER

ACCEPTED:

By: _____

DATE: _____

Name Printed _____

CASITAS MUNICIPAL WATER DISTRICT
Inter-Office Memorandum

DATE: July 19, 2013
 TO: Board of Directors
 FROM: General Manager, Steve Wickstrum
 Re: Vehicle Purchases

RECOMMENDATION:

It is recommended that the Board of Directors award the purchase orders for vehicle purchases.

BACKGROUND:

At this time, staff has pursued the gathering of bids for four of the five vehicles. For fiscal year 2013-14, the District has budgeted \$140,000 to replace five vehicles in the current fleet. The District's replacement of each vehicle is predicated on mileage, age, mechanical issues and the lack of air conditioning. Requests for quotes were sent to 13 vehicle dealers of Ford and Chevrolet brands, ranging from Ventura County to Elk Grove California. Bids were received from only 4 dealers and evaluated by staff for adequacy. The following is a breakdown for each vehicle:

Laboratory – ½ ton short bed, regular cab – replaces ½ ton truck, no AC. Budget of \$23,000.

Dealership	Full Price	Trade-in Value	Total Price
Vista Ford	\$17,934.79	\$1,000	\$16,934.78
Downtown Ford	\$17,404.40	\$0	\$17,404.40
Winner Chevrolet	\$26,177.00	\$800	\$25,285.02

Vista Ford appears to be the lowest responsible bidder for the Laboratory vehicle.

Engineering – small SUV – replaces ½ ton truck, no AC. Budget of \$23,000.

Dealership	Full Price	Trade-in Value	Total Price
Vista Ford	\$21,503.95	\$1,500	\$20,003.95
Downtown Ford	\$21,320.62	\$0	\$21,320.62
Winner Chevrolet	\$21,120.00	\$1,000	\$21,798.75

Vista Ford appears to be the lowest responsible bidder for the Engineering vehicle.

Recreation – ½ ton quad cab – replaces ½ ton extended cab truck. Budget of \$23,000.

Dealership	Full Price	Trade-in Value	Total Price
Paradise Chevrolet	\$27,393.31	\$1,750	\$25,643.31
Winner Chevrolet	\$30,409.75	\$1,000	\$29,409.75

Paradise Chevrolet appears to be the lowest responsible bidder for the Recreation vehicle.

Pipeline – 1 ton 4WD with utility box, diesel – replaces ¾ ton 4WD utility truck. Budget of \$34,000.

Dealership	Full Price	Trade-in Value	Total Price
Vista Ford	\$38,619.53	\$1,800	\$36,819.53
Downtown Ford	\$35,804.50	\$0	\$35,804.50
Winner Chevrolet	\$39,330.10	\$1,500	\$37,830.10

Staff has sought automotive expertise to compare similar models of the Ford and Chevrolet in this proposal. It is reported that the Chevrolet has fewer fuel, engine and transmission problems, comes with an Allison automatic transmission, dual batteries, exhaust brake, and has preferred suspension and handling. Staff recommends the bid that is provided by Winner Chevrolet.

If you have any questions in this regard, please do not hesitate to ask me.

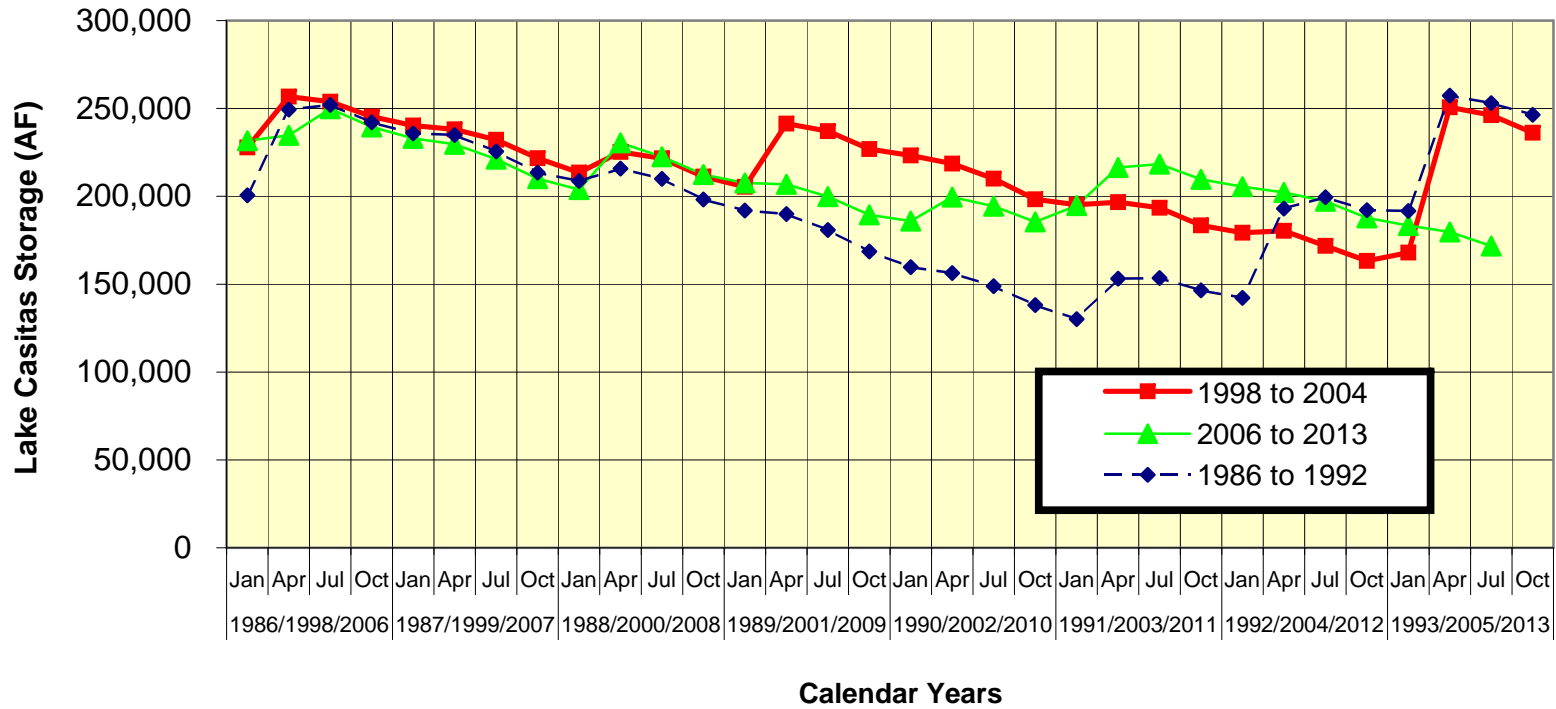
CASITAS RESERVOIR WATER INVENTORY SUMMARY
2012 - 2013 WATER YEAR

(All Volumes in Acre-feet)

MONTH	RESERVOIR (last of previous month)		RESERVOIR INFLOW				RESERVOIR RELEASES			
	ELEV (ft)	STORAGE	DIRECT	VENTURA RIVER DIVERSIONS	TOTAL	PRECIP	EVAP	TO MAIN SYSTEM	SPILL	CHANGE IN STORAGE
OCT 2012	540.43	187780	-406	0	-406	20	586	1850	0	-2823
NOV 2012	539.18	184957	-443	0	-443	675	305	1138	0	-1211
DEC 2012	538.64	183746	-323	0	-323	653	135	552	0	-357
JAN 2013	538.48	183389	-221	0	-221	370	222	891	0	-963
FEB 2013	538.05	182426	87	0	87	35	26	916	0	-1198
MAR 2013	537.51	181228	127	0	127	188	601	1199	0	-1485
APR 2013	536.84	179743	65	0	65	34	747	1551	0	-2199
MAY 2013	535.84	177544	119	0	119	108	977	2001	0	-2751
JUN 2013	534.58	174793	37	0	37	0	1017	2065	0	-3045
JUL 2013	533.17	171748	0	0	0	0	0	0	0	0
AUG 2013	0.00	0	0	0	0	0	0	0	0	0
SEP 2013	0.00	0	0	0	0	0	0	0	0	0
OCT 2013	0.00	0	N/A	N/A	N/A	N/A	N/A	N/A	N/A	N/A
TOTAL			-959	0	-959	2083	4617	12161	0	-16033

reservoir capacity = 254,000 a.f. @ 567 ft.

Lake Casitas Storage Volume Comparison



June 30, 2013 Lake Storage @ 171,748 AF = 67.61%

Full Lake storage = 254,002

**CASITAS MUNICIPAL WATER DISTRICT
TREASURER'S MONTHLY REPORT OF INVESTMENTS
07/18/13**

Type of Invest	Institution	CUSIP	Date of Maturity	Adjusted Cost	Current Mkt Value	Rate of Interest	Date of Deposit	% of Portfolio	Days to Maturity
*TB	Federal Farm CR BK	31331VK96	06/30/2014	\$971,737.12	\$972,232.80	5.650%	04/01/2013	6.00%	342
*TB	Federal Home Loan Bank	313379EE5	06/14/2019	\$1,388,466.26	\$1,314,468.00	1.625%	10/03/2012	8.11%	2126
*TB	Federal Home Loan Bank	3133XFKF2	06/11/2021	\$732,654.33	\$680,176.00	5.625%	01/16/2013	4.20%	2843
*TB	Federal Home Loan Bank	3133XKTV7	06/13/2014	\$974,377.91	\$974,784.25	4.875%	04/01/2013	6.02%	325
*TB	Federal Home Loan Bank	3133XLWN1	09/12/2014	\$983,378.67	\$983,214.60	5.250%	04/01/2013	6.07%	414
*TB	Federal Home Loan Bank	3133XSP930	12/13/2013	\$705,202.83	\$708,526.00	3.125%	07/01/2010	4.37%	145
*TB	Federal Home Loan Bank	3133XWNB10	06/12/2015	\$711,707.67	\$733,005.00	2.875%	07/01/2010	4.52%	684
*TB	Federal Home Loan Bank	3134A4VG60	11/17/2015	\$745,810.31	\$768,663.00	4.750%	07/19/2010	4.74%	839
*TB	Federal Home Loan Bank	3134G34WJ	08/28/2014	\$998,734.40	\$998,984.03	0.375%	04/01/2013	6.17%	400
*TB	Federal Home Loan MTG Corp	3135G0ES80	11/15/2016	\$692,830.17	\$692,466.38	1.375%	03/12/2012	4.27%	1197
*TB	Federal Home Loan MTG Corp	3137EABA60	11/17/2017	\$1,157,290.52	\$1,157,490.00	5.125%	01/03/2012	7.15%	1559
*TB	Federal Home Loan MTG Corp	3137EABS70	09/27/2013	\$704,001.88	\$705,474.00	4.125%	07/01/2010	4.35%	69
*TB	Federal Home Loan MTG Corp	3137EACD90	07/28/2014	\$710,301.72	\$719,971.00	3.000%	07/01/2010	4.44%	370
*TB	Federal Home Loan MTG Corp	3137EADB2	01/13/2022	\$209,926.90	\$193,712.00	2.375%	02/11/2013	1.20%	3055
*TB	Federal Natl MTG Assn	31398AYY20	09/16/2014	\$711,055.77	\$723,212.00	3.000%	07/01/2010	4.46%	418
*TB	US Treasury Inflation Index NTS	912828JE10	07/15/2018	\$1,126,207.81	\$1,189,376.90	1.375%	07/06/2010	7.34%	1797
*TB	US Treasury Notes	912828JW10	12/31/2013	\$701,226.29	\$704,431.00	1.500%	07/01/2010	4.35%	163
*TB	US Treasury Notes	912828LZ10	11/30/2014	\$705,748.44	\$718,375.00	2.125%	07/01/2010	4.43%	492
*TB	US Treasury Inflation Index NTS	912828MF40	01/15/2020	\$1,111,245.14	\$1,183,853.00	1.375%	07/01/2010	7.31%	2337
Accrued Interest					\$77,075.59				
Total in Gov't Sec. (11-00-1055-00&1065)				\$16,041,904	\$16,199,491			88.20%	
Total Certificates of Deposit: (11.13506)				\$0	\$0			0.00%	
**	LAIF as of: (11-00-1050-00)		N/A	\$444	\$444	0.35%	Estimated	0.00%	
***	COVI as of: (11-00-1060-00)		N/A	\$2,167,079	\$2,167,079	0.65%	Estimated	11.80%	
TOTAL FUNDS INVESTED				\$18,209,426	\$18,367,013			100.00%	
Total Funds Invested last report				\$18,219,723	\$18,337,751				
Total Funds Invested 1 Yr. Ago				\$14,524,851	\$14,876,503				
****	CASH IN BANK (11-00-1000-00) EST.			\$1,233,441	\$1,233,441				
	CASH IN Western Asset Money Market			\$7	\$7	0.010%			
	CASH IN PIMMA Money Market			\$0	\$0	0.000%			
TOTAL CASH & INVESTMENTS				\$19,442,874	\$19,600,460				
TOTAL CASH & INVESTMENTS 1 YR AGO				\$18,195,410	\$18,547,061				

- *CD CD - Certificate of Deposit
- *TB TB - Federal Treasury Bonds or Bills
- ** Local Agency Investment Fund
- *** County of Ventura Investment Fund
- Estimated interest rate, actual not due at present time.
- **** Cash in bank

No investments were made pursuant to subdivision (i) of Section 53601, Section 53601.1 and subdivision (i) Section 53635 of the Government Code.
All investments were made in accordance with the Treasurer's annual statement of investment policy.